

# 34670-MP

## ADJUSTABLE LOW FREQUENCY WAVEFORM GENERATOR

Handy module that generates selectable Sine, Square or Triangular waveforms.

Power: 12-15VDC

Adjustable Output Level

Distortion: 1% Sine Wave

Square Wave duty cycle adj. 2-98%

Triangle Wave Linearity: 0.1%

Range: 10-450KHz in 5 jumper selectable overlapping ranges:

~10hz-450Hz

~90Hz-1.5KHz

~940Hz-15KHz

~6KHz-120KHz

~20KHz-450KHz

Adjustment Pot for fine Frequency adj.

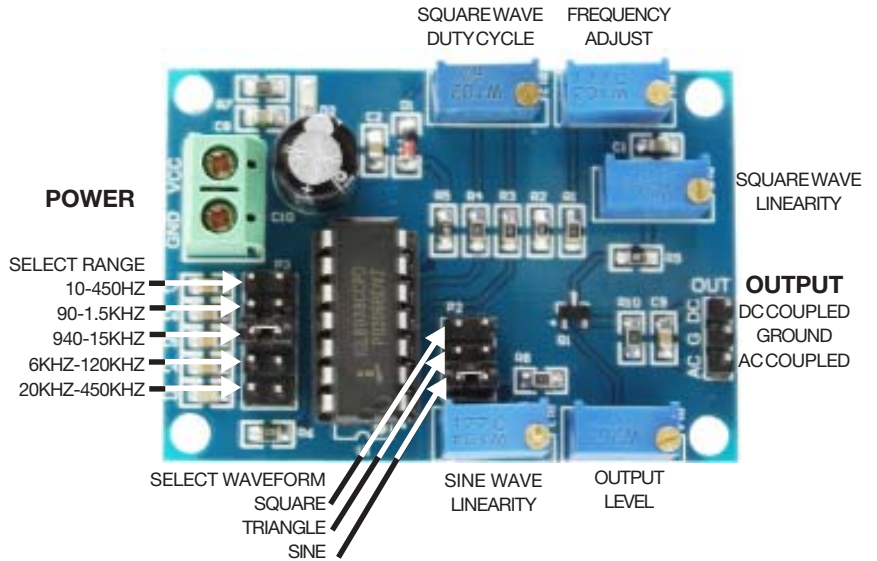
AC & DC Coupled outputs

Power LED

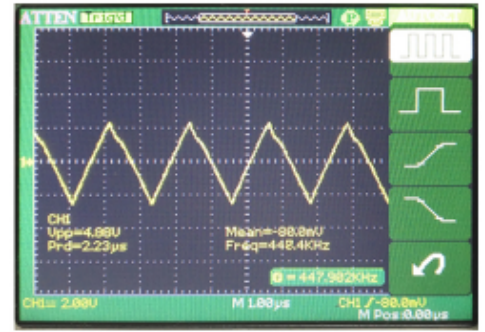
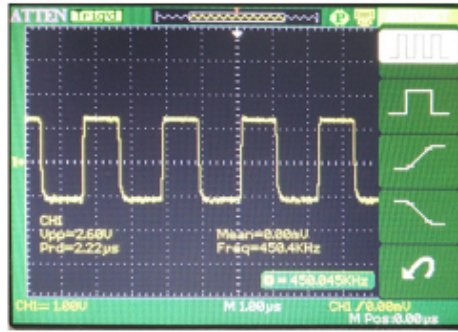
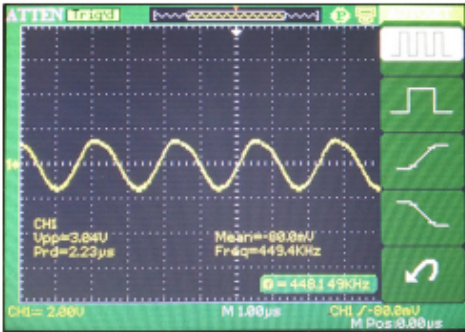
Output: Header Pins 0.1Pitch

Power: Terminal Strip

L: 2-5/32"    W: 1-1/2"    H: 3/4"    WT: .04



### TYPICAL WAVFORMS



Information obtained from or supplied by Mpja.com or Marlin P. Jones and Associates inc. is supplied as a service to our customers and accuracy is not guaranteed nor is it definitive of any particular part or manufacturer. Use of information and suitability for any application is at users own discretion and user assumes all risk.



**MARLIN P. JONES & ASSOC., INC.**

P.O. Box 530400 Lake Park, FL 33403

800-652-6733 FAX 561-844-8764

WWW.MPJA.COM