

34653-MP

Single 5V SPDT Relay Board for Microcontrollers

Single SPDT Relay module for any project. Easily driven by an Arduino or other micro controllers. Opto Isolated Input.

Freeware available through www.arduino.cc/en & others

Power & Relay Activated LEDs

+5V on Input to Actuate Relay

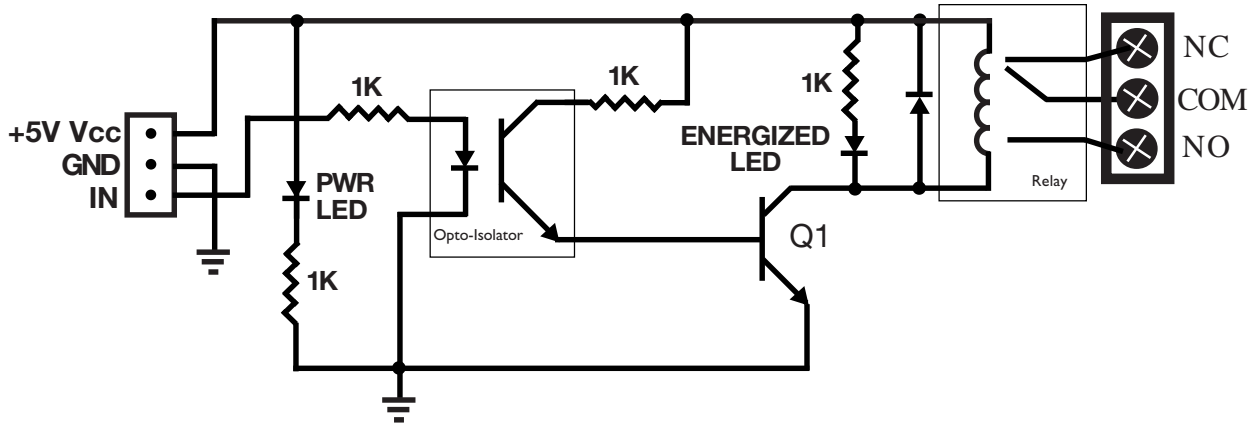
Power: 5VDC @ ~90mA energized

Contacts: SPDT 10A @ 250VAC

Input: .1in. pitch header with Vcc, Gnd, and Input

Output: Terminal strip.

L: 2-1/16" W: 11/16" H: 3/4" WT: .04



Information obtained from or supplied by Mpja.com or Marlin P. Jones and Associates inc. is supplied as a service to our customers and accuracy is not guaranteed nor is it definitive of any particular part or manufacturer. Use of information and suitability for any application is at users own discretion and user assumes all risk.



MARLIN P. JONES & ASSOC., INC.

P.O. Box 530400 Lake Park, FL 33403

800-652-6733 FAX 561-844-8764

WWW.MPJA.COM