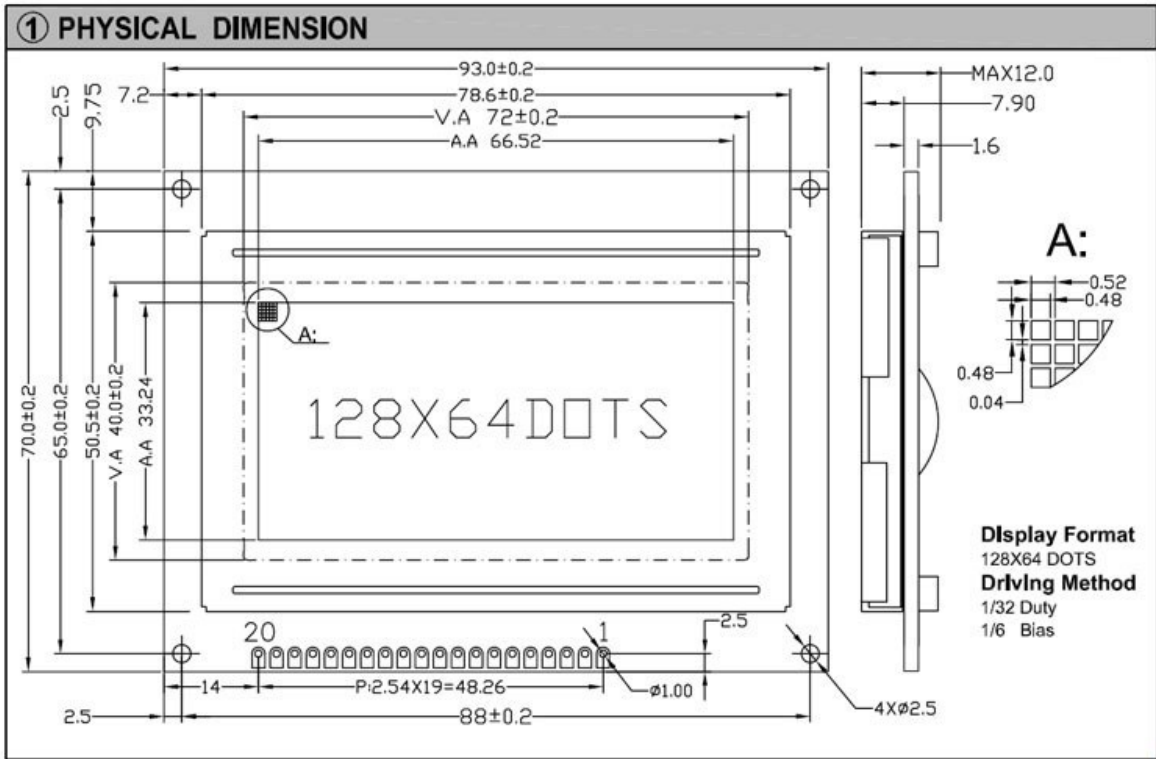


34348-OP

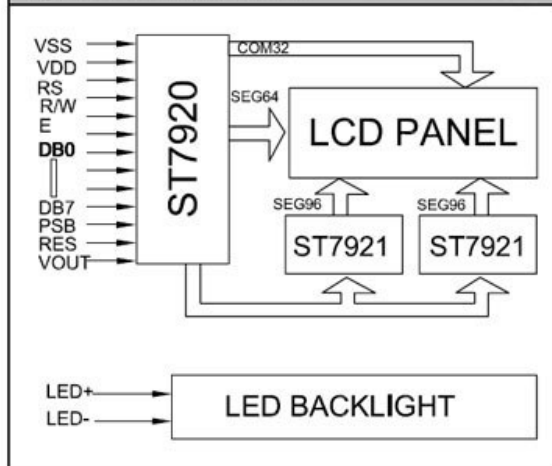
128X64 GRAPHIC DISPLAY



② MECHANICAL DATA

ITEM	SPECIFICATION	UNIT
Module Size With B/L (W X H X T)	93.0 X 70.0 X 12	mm
Viewing Area (W X H)	72.0 X 40.0	mm
Number of Dots (W X H)	128 X 64	dots
Dot Pitch (W X H)	0.52 X 0.52	mm
Dot Size (W X H)	0.48 X 0.48	mm
Weight	80.0 (With B/L)	g

④ BLOCK DIAGRAM



③ PIN CONFIGURATION

ITEM	SYMBOL	DESCRIPTION	
1	VSS	VSS Power ground	
2	VCC	VCC Power positive (+5V±10%)	
3	NC/V0	NC/V0 No Connect /Negative voltage Supply for LCD	
4	RS	CS H:Data L:Instruction Code Serial Chip Select	
5	RW	SID H:Read L:Write Serial Data	
6	E	SCLK Enable trigger. Serial Clock	
7	DB0	Data bus [0-7]. There state I/O common terminal. No Connect	
14	DB7		
15	PSB		PSB H: Parallel mode L: Serial mode
16	NC		NC No Connect
17	RST		RST System reset low active. System reset low active.
18	NC/VEE		NC/VEE No Connect /Negative voltage output
19	LED_A		LED_A Backlight Anode(+5V).
20	LED_K	LED_K Backlight Cathode(0V).	

⑤ ABSOLUTE MAXIMUM RATINGS (25°C)

PARAMETER	SYMBOL	MIN.	MAX.	UNIT
SUPPLY VOLTAGE LOGIC	VDD	0	5.5	V
SUPPLY VOLTAGE DRIVER	VO-GND	0	15	V
INPUT VOLTAGE	VIN	0	VDD	V



MARLIN P. JONES & ASSOC., INC.

P.O. Box 530400 Lake Park, FL 33403

800-652-6733 FAX 561-844-8764

WWW.MPJA.COM