

34346-OP

20 Character X 4 Line LCD (White Character on Blue Background)

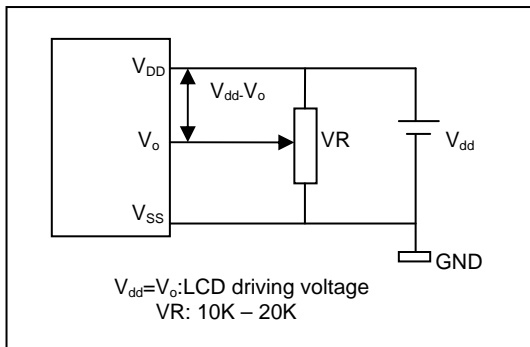
Specifications

| | |
|-----------------------|-------------------------|
| Display Format | 20 characters x 4 lines |
| Drive Method | 1/16 duty, 1/5 bias |
| LCD Type | STN Blue |
| LED Backlight | White |
| Viewing direction | 6: 00 |
| Operating Temperature | -20°C to 60°C |

Electrical Characteristics

| Parameter | Symbol | Condition | Stand value | | | UNIT |
|--|-----------------|-----------------|-------------|------|----------|------|
| | | | Min. | Typ. | Max. | |
| Supply Voltage for Logic | $V_{DD}-V_{SS}$ | - | 4.5 | 5.0 | 5.5 | V |
| Supply Voltage for LCD | $V_{DD}-V_o$ | - | - | 4.7 | - | V |
| Input Logic HIGH | V_{IH} | - | 2.2 | - | V_{DD} | V |
| Input Logic LOW | V_{IL} | - | -0.3 | - | 0.6 | V |
| Output Logic HIGH | V_{OH} | $-I_{OH}=0.2mA$ | 2.4 | - | - | V |
| Output Logic LOW | V_{OL} | $I_{OL}=1.2mA$ | - | - | 0.4 | V |
| Power Supply Current without backlight | V_{DD} | $V_{DD}=5.0V$ | - | 2.0 | 5 | mA |
| Power Supply Current with backlight | I_{LED} | $V_{LED}=5.0V$ | - | 72 | 80 | mA |

Power Supply



Block Diagram

