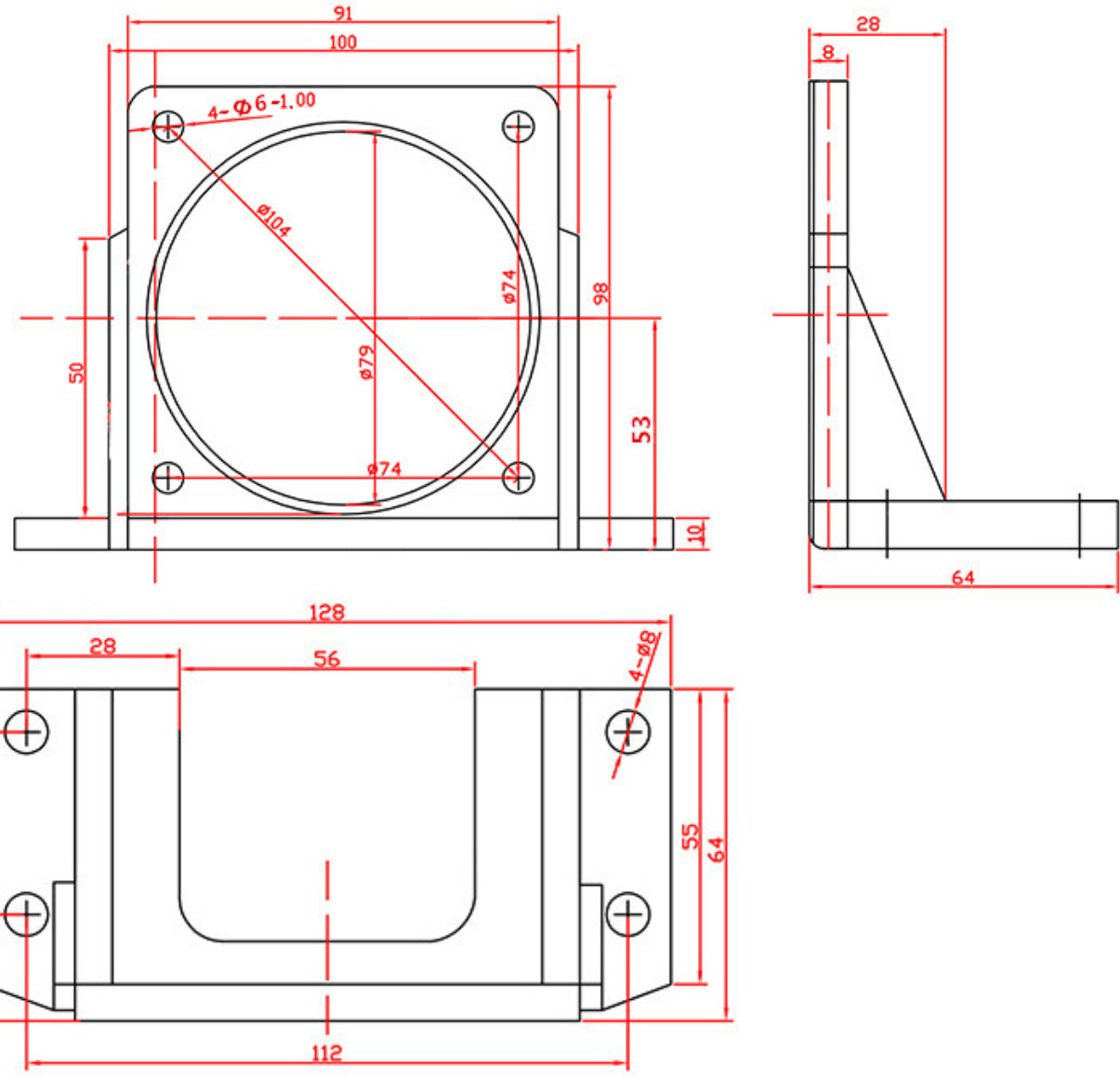


ALL DIMENSIONS IN mm



Information obtained from or supplied by Mpja.com or Marlin P. Jones and Associates inc. is supplied as a service to our customers and accuracy is not guaranteed nor is it definitive of any particular part or manufacturer. Use of information and suitability for any application is at users own discretion and user assumes all risk.

<b>www.mpja.com</b>		
Title	<b>90mm MOTOR MOUNTING BRACKET</b>	
Size	Document Number <b>33579 MA</b>	Rev.
Date	Sheet	