

33522-ME

Li-Ion Battery Tester

Snap-in, LCD Meter for testing Li-Ion Batteries.

Displays Volts, Amps, Load Resistance, & Charge level (Bargraph)
 Recessed Button controls Backlight and setting of Cutoff Voltage

& Full Scale Voltage
 Display: 23.5 X 9.75mm LCD

Character Height: 4mm

Input Volts: 2.8-30VDC

Resolution: 0.1V

Accuracy: 2%

Load Current: 0-10.0A

SET BY EXTERNAL LOAD RESISTOR (NOT SUPPLIED)

Load Resistance= Battery Voltage/Desired Current

Resolution: 0.1A

Accuracy: 2%

Load Resistance: >0-999 ohms

Resolution: <10 ohms: 0.01 ohm

10-100 ohms: 0.1 ohm

100-999 ohms: 1.0 ohm

Charge Level "Fuel Gauge"

Battery Voltage Programmable up to 30V

Full: 5 segments

80%: 4 Segments

60%: 3 Segments

40%: 2 Segments

20%: 1 Segment

<20%: only battery outline displayed

Input/Output Terminal Strip

Cutout: ~49mm X 23mm

W: 51mm

H: 27mm

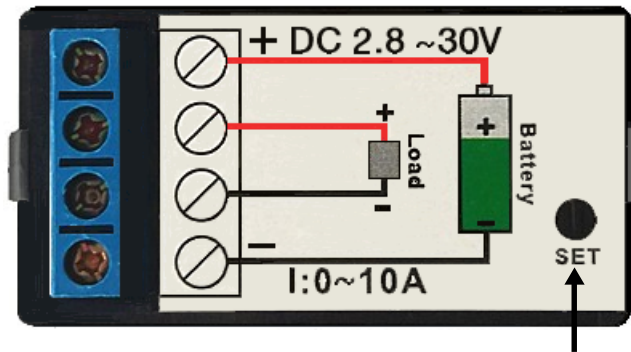
D: 17mm

WT: .06



BACKLIGHT CONTROL

Short pressings of "SET" Button alternates the Backlight On/Off



**RECESSED
"SET" BUTTON**

Information obtained from or supplied by Mpja.com or Marlin P. Jones and Associates inc. is supplied as a service to our customers and accuracy is not guaranteed nor is it definitive of any particular part or manufacturer. Use of information and suitability for any application is at users own discretion and user assumes all risk.



MARLIN P. JONES & ASSOC., INC.

P.O. Box 530400 Lake Park, FL 33403

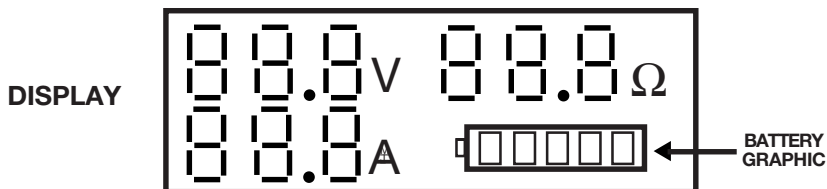
800-652-6733 FAX 561-844-8764

WWW.MPJA.COM



33522-ME

SETTING BATTERY CUTOFF & FULL SCALE VOLTAGE



Adjusting Cutoff and Full Scale Voltage

Press & Hold "SET" for more than 3seconds

The Display will Flash and show the existing Cutoff Voltage and and the Battery Graphic will show that it is empty

Momentary Press on "SET" button will increase the display by 0,1V

Holding the "SET" button will cause a faster auto increase

NOTE: Cutoff Voltage cannot exceed the the Full Scale Voltage setting

When Finished with setting Cutoff Voltage,

Wait more than 3 sec.

The Display will Flash and show the existing Full Scale Voltage and and the Battery Graphic will show that it is full

Momentary Press on "SET" button will increase the display by 0.1V

Holding the "SET" button will cause a faster auto increase

NOTE: Full-Scale Voltage cannot be less the the Cutoff Voltage setting

When Finished with setting Full Scale Voltage

Wait more than 3 sec.

The meter will save the settings & return to normal operation

If an Incorrect Value is entered, the Display will show "ErrS SAu" for 1sec. before returning to Normal Screen

