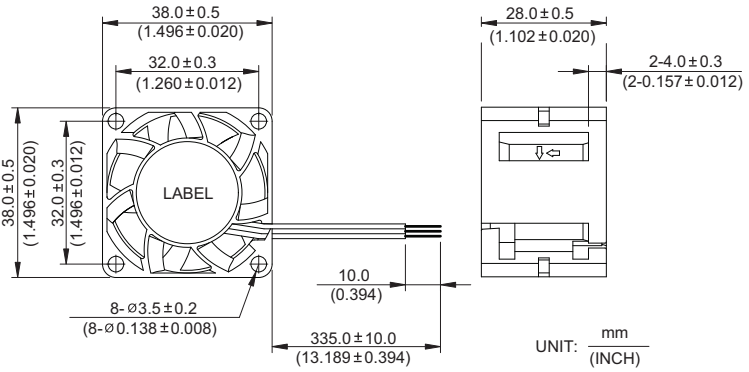
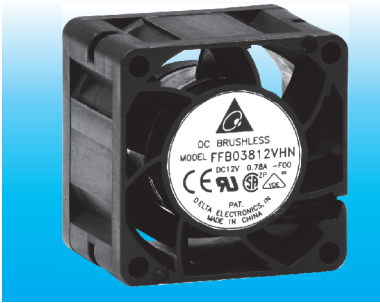


38 x 38 x 28 MM

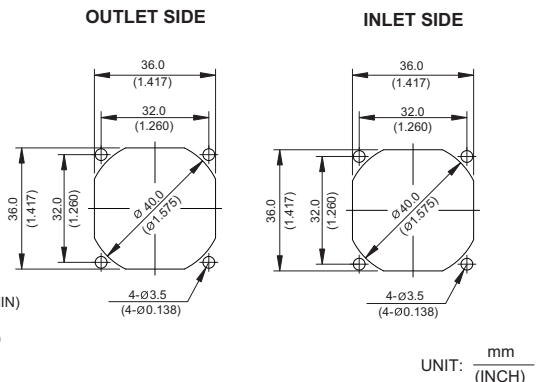
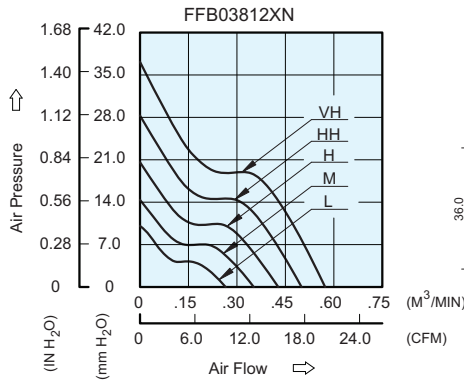
DIMENSIONS DRAWING



- * Bearing Type: Ball Bearings
- * Material: Impeller & Frame: Plastic (UL94V-0)
- * Lead Wires: 10in. UL 1061 AWG #24 OR Equivalent
 - Red Wire: Positive (+)
 - Black Wire: Negative (-)
 - Blue Wire: Tach Output
 - Yellow Wire: PWM Input
- * PWM:
 - Square Wave
 - 30-30KHz
 - Voltage Range: High: 2.8-20VDC, Low: 0-0.4VDC
 - Current Range: 40uA to 20mA
- * Weight : 46g (1.62 oz)

P & Q CURVE (AT RATED VOLTAGE)

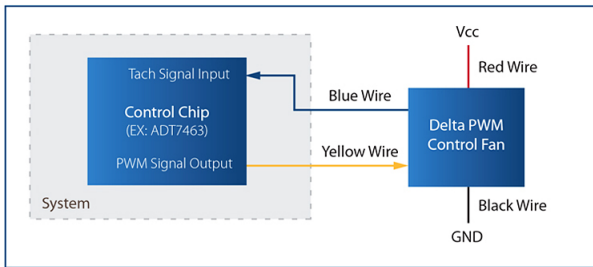
MOUNTING PANEL CUTOUT



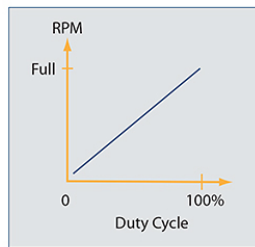
MODEL		Rated	Operating Voltage Range	Rated Current	Rated Input Power	Speed	Maximum Air Flow		Maximum Air Pressure		Noise
PART NO.	Function	Voltage	VDC	Amp	Watt	R.P.M.	m ³ /min	CFM	mmH ₂ O	IN H ₂ O	dB-A
FFB03812HHN	T6BF	12	7.0 to 13.8	0.57	6.64	14000	0.490	17.30	28.22	1.111	55.5

* Function type is optional.
 * The max. air flow and the speed are measured in free air ; max. air pressure is measured at zero air flow.
 * Noise is measured in anechoic chamber in free air, one meter from intake side.
 * All readings are typical values at rated voltage.
 * Specifications are subject to change without notice.

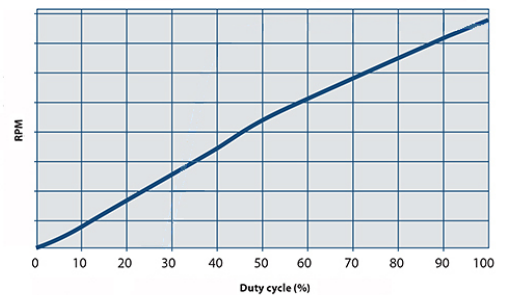
Fan Speed Control Function



PWM Control



PWM Fan Curve



Mouser Electronics

Authorized Distributor

Click to View Pricing, Inventory, Delivery & Lifecycle Information:

[Delta Electronics:](#)

[FFB03812VHN](#) [FFB03812MN-F00](#) [FFB03812VHN-9C3P](#) [FFB03812VHN-F00](#) [FFB03812LN](#) [FFB03812HN-R00](#)
[FFB03812HHN-R00](#) [FFB03812HHN](#) [FFB03812MN-R00](#) [FFB03812HN-F00](#) [FFB03812HN](#) [FFB03812HHN-F00](#)
[FFB03812LN-R00](#) [FFB03812MN](#) [FFB03812HHN-TYAP](#) [FFB03812VHN-R00](#) [FFB03812LN-F00](#)