

33106-MI

Handwheel Rotary Encoder

Hand Encoder for CNC Machines, Microcontrollers

Handy, Bi-phase rotary encoder with built in Handwheel.
Provides a 2 Phase output with both True & Compliment signals.

Power: 5VDC @ <100mA

Output: Push/Pull A to -A / B to -B (Differential Line Driver)

Phasing: A before B or B before A (rotation dependent)

Waveform: Square Wave

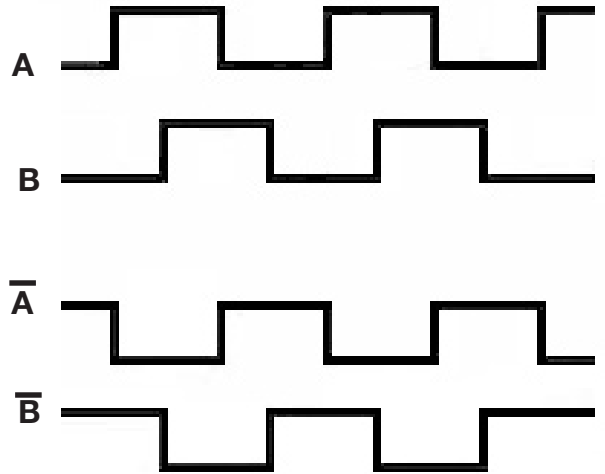
Resolution: 3.6deg. (100Pulse/360deg. rotation)

Speed: < 500RPM

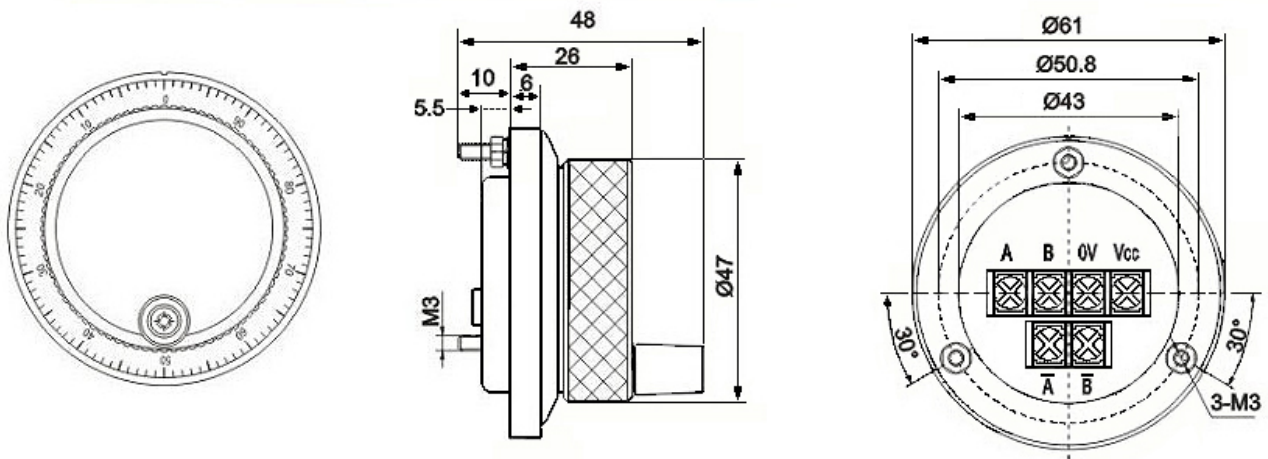
Connections: Terminal Strip

DIA: 80mm **H:** 50mm (O/A)

WT: .5



TIMING



MECHANICAL

Information obtained from or supplied by Mpja.com or Marlin P. Jones and Associates inc. is supplied as a service to our customers and accuracy is not guaranteed nor is it definitive of any particular part or manufacturer. Use of information and suitability for any application is at users own discretion and user assumes all risk.



MARLIN P. JONES & ASSOC., INC.

P.O. Box 530400 Lake Park, FL 33403

800-652-6733 FAX 561-844-8764

WWW.MPJA.COM