

32711-ME

MINI 5 DIGIT PANEL MOUNT VOLT METER

Mini snap-in, 5 digit LED panel Voltmeter. Ideal for monitoring in battery, solar and control circuits.

Operating Voltage: 3.5-30VDC

Input Range: 0 to +33.000V (No - readings)

Resolution: .001V Fixed Range

Accuracy: 0.3% +- 2LSD

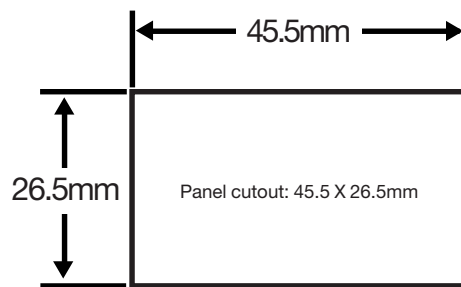
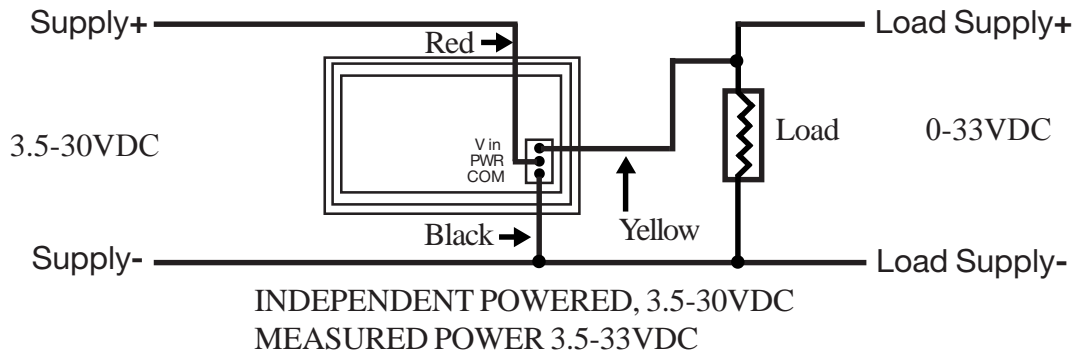
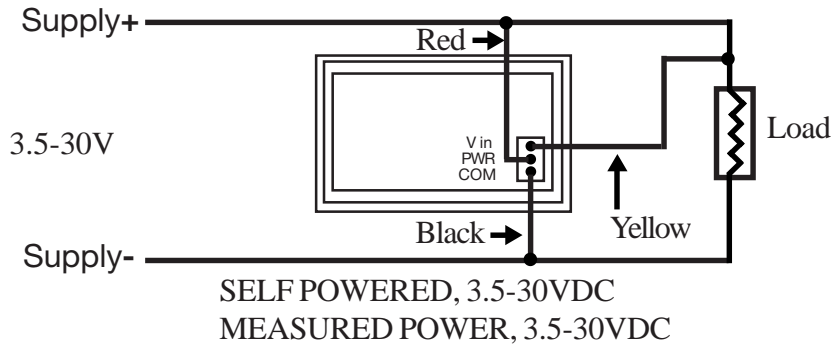
Character Height: 0.36in.

6" wire leads.

NOTE: Requires Separate power Supply if Input exceeds 30VDC

W: 1-7/8" H: 1-1/8" D: 7/8"

WT: .04



Information obtained from or supplied by Mpja.com or Marlin P. Jones and Associates inc. is supplied as a service to our customers and accuracy is not guaranteed nor is it definitive of any particular part or manufacturer. Use of information and suitability for any application is at users own discretion and user assumes all risk.



MARLIN P. JONES & ASSOC., INC.

P.O. Box 530400 Lake Park, FL 33403
800-652-6733 FAX 561-844-8764
WWW.MPJA.COM