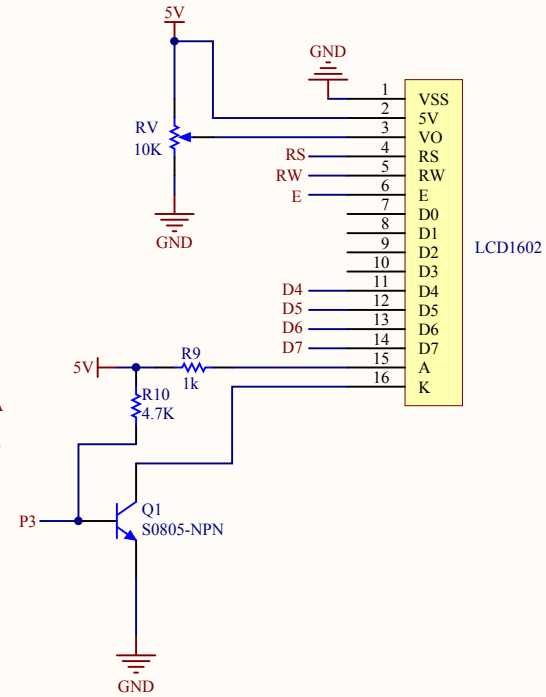
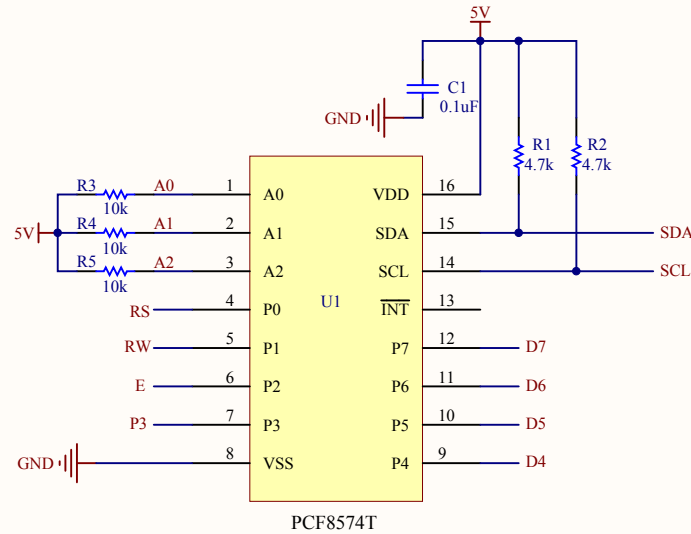


R6-8 May Not Be Installed

NOTE:
To Change address from factory setting (1,1,1):
Remove/add 10k R3-5 resistor(s) as needed for High, add jumper/0ohm resistor(s) R6-8 as needed for Low



Information obtained from or supplied by Mpja.com or Marlin P. Jones and Associates inc. is supplied as a service to our customers and accuracy is not guaranteed nor is it definitive of any particular part or manufacturer. Use of information and suitability for any application is at users own discretion and user assumes all risk.

Title			IIC Driver Module for LCD1602		
Size	Number	Revision			
A4	32700-MP	4/16			
Date:	2014/7/23	Sheet of			
File:		Drawn By:			