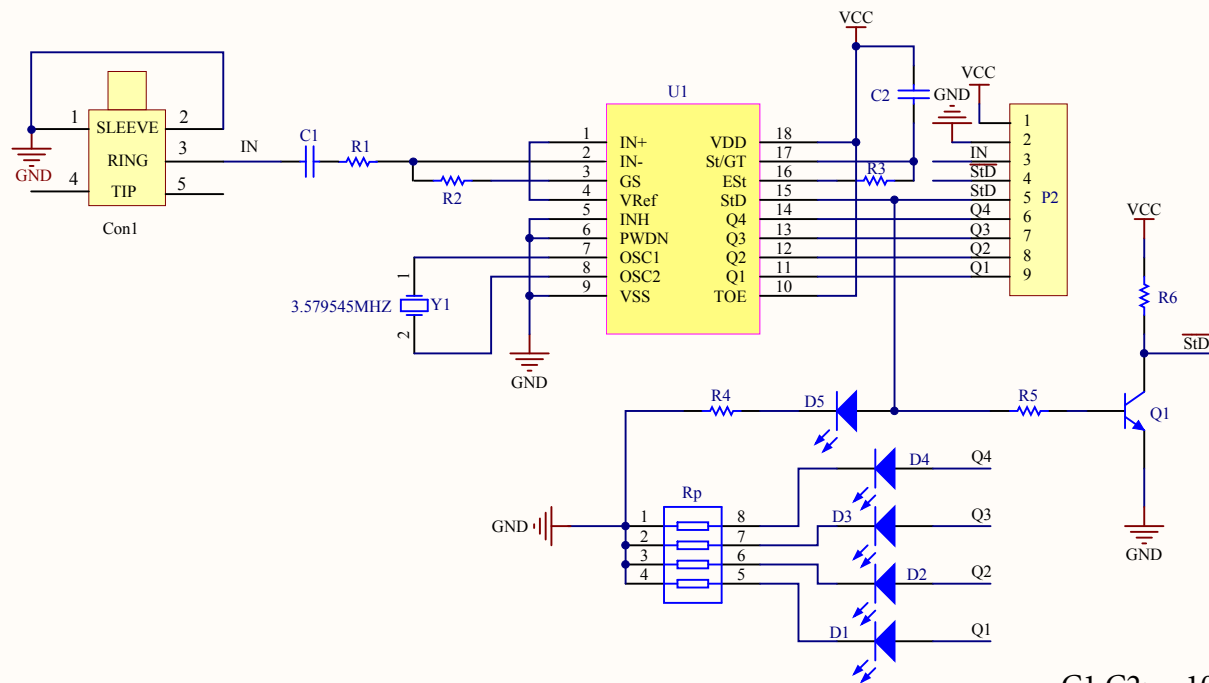


3.5mm CONNECTOR

Tip: 4,5 N/C
 Ring: 3 IN
 Sleeve: 1,2 GND



- C1,C2: 100nF
- R1,R2: 100K Ohm
- R3: 300KOhm
- R4,R5: 1K Ohm
- R6: 10K Ohm
- Rp: 1K X 4 Res. Pack
- Q1: SOT95P240-3N
- U1: MT8870
- Con1: 3.5mm Stereo Jack

Information obtained from or supplied by Mpja.com or Marlin P. Jones and Associates inc. is supplied as a service to our customers and accuracy is not guaranteed nor is it definitive of any particular part or manufacturer. Use of information and suitability for any application is at users own discretion and user assumes all risk.

Title			DTMF Tone Decoder		
Size	Number	Revision			
A4	32697-MP	3/16			
Date:	2013/12/16	Sheet of			
File:					