

A

B

C

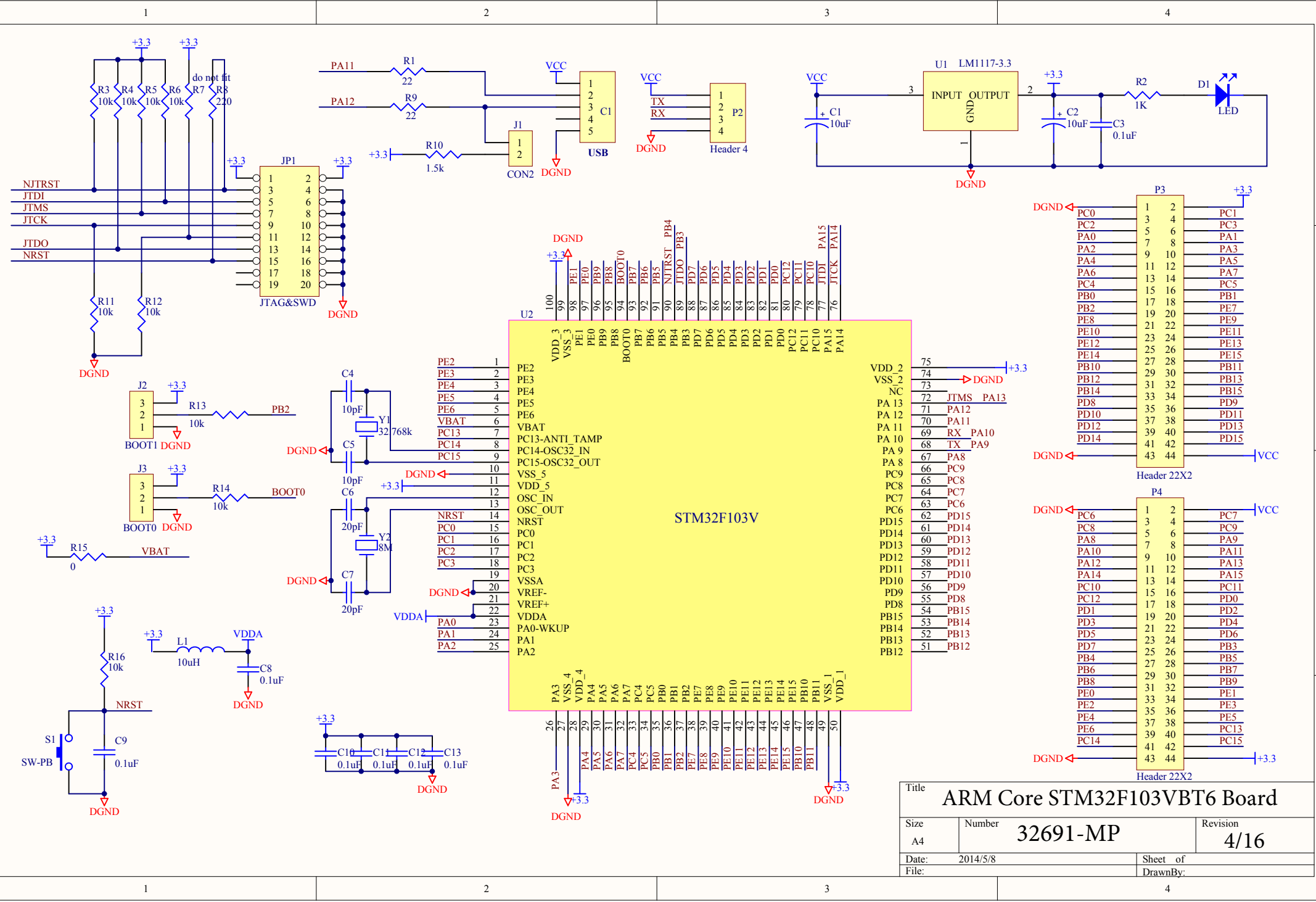
D

A

B

C

D



Title			
ARM Core STM32F103VBT6 Board			
Size	Number	Revision	
A4	32691-MP	4/16	
Date:	2014/5/8	Sheet of	
File:		DrawnBy:	