

32619-OP

U/V LED 10W 420nM

HIGH POWER DO NOT STARE AT THESE LEDs SOME OF THE OUTPUT MAY NOT BE VISIBLE
REQUIRES CURRENT LIMITING & MOUNTING TO HEATSINK WITH THERMAL PAD.

10Watt Ultraviolet LEDs. Used for Aquariums, Anti-Counterfeiting, Grow Lights,
Curing epoxies and scientific equipment.

Ambient Temperature Range: -20°C to $+60^{\circ}\text{C}$

Output: 420-430nM

Forward Voltage Drop: 9-12VDC

Forward Current: 1A max

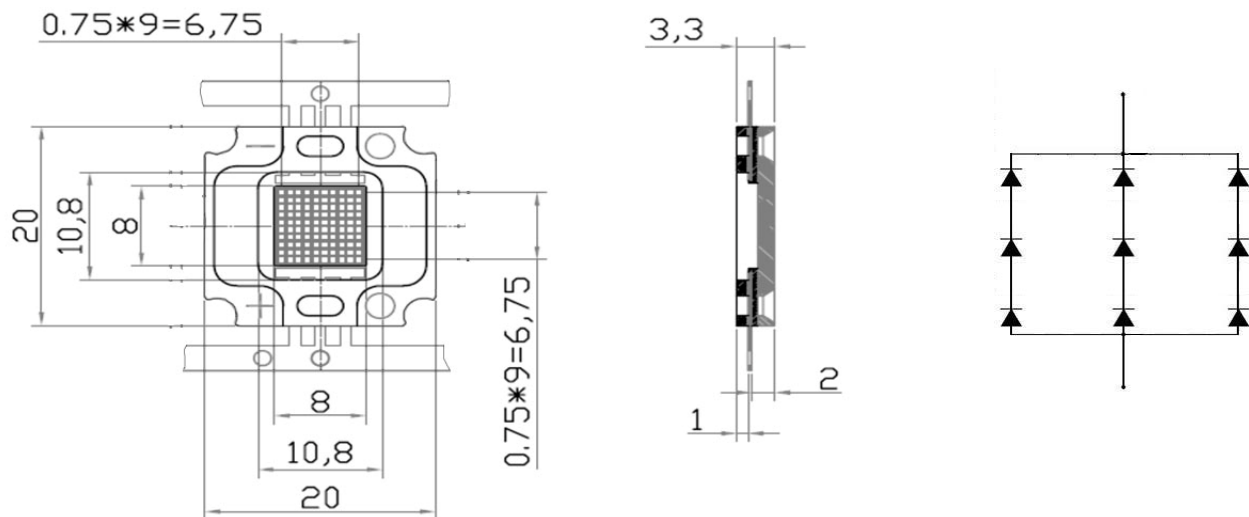
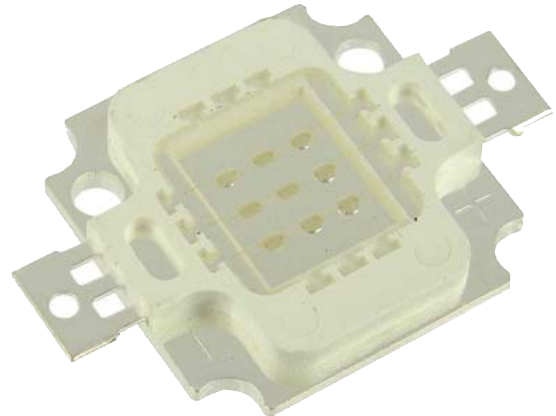
Max Reverse Voltage: 5V

View Angle: 120deg.

Lead Soldering Temp.: 260°C <5 sec.

ALUMINUM BASE SURFACE MOUNT PACKAGE

WT: .011



Information obtained from or supplied by Mpja.com or Marlin P. Jones and Associates inc. is supplied as a service to our customers and accuracy is not guaranteed nor is it definitive of any particular part or manufacturer. Use of information and suitability for any application is at users own discretion and user assumes all risk.



MARLIN P. JONES & ASSOC., INC.

P.O. Box 530400 Lake Park, FL 33403

800-652-6733 FAX 561-844-8764

WWW.MPJA.COM