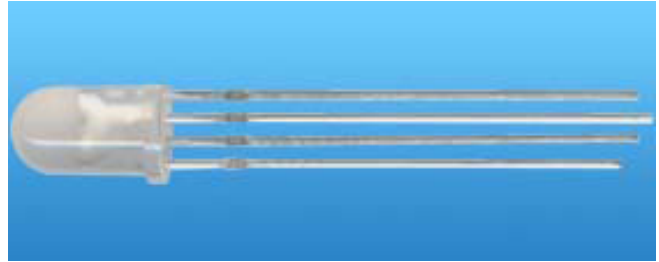


# 32602-OP

## RGB FULL COLOR LED LAMP COMMON ANODE

### Features:

- 5.0mm Round Type, RGB Full Color LED Lamps
- Diffused Water White lens.
- Popular T-1 diameter package.
- IC compatible /Low current capability.



### Electrical-optical characteristics: (Ta=25°C) (Test Condition: IF=20mA)

Part Number	Chip			Lens Type	Forward Voltage(VF) Unit:V		Luminous Intensity (Iv) Unit:mcd		View Angle
	Emitted Color	Material	$\lambda_P$ (nm)		Typ	Max	Min.	Typ.	2 $\theta$ 1/2 (deg)
<b>32602-OP</b>	Ultra Red	AlGaInP	630	Water Diff.	2.10	2.50	200	500	30
	Ultra Pure Green	InGaN	525		3.80	4.50	300	600	
	Blue	InGaN	430		3.80	4.50	150	300	

### Absolute maximum ratings (Ta=25°C)

Parameter	UE	PG	UB	Unit
Forward Current $I_F$	30	30	30	mA
Power Dissipation $P_d$	65	110	120	mW
Reverse Voltage $V_R$	5	5	5	V
Peak Forward Current $I_{PF}$ (Duty 1/10 @1KHZ)	150	150	100	mA
Operation Temperature $T_{OPR}$	-40 to +80			
Storage Temperature $T_{STG}$	-40 to +85			
Lead Soldering Temperature $T_{SOL}$	Max.260 5 for 3 sec Max. (1.6mm from the base of the epoxy bulb)			

Information obtained from or supplied by Mpja.com or Marlin P. Jones and Associates inc. is supplied as a service to our customers and accuracy is not guaranteed nor is it definitive of any particular part or manufacturer. Use of information and suitability for any application is at users own discretion and user assumes all risk.



**MARLIN P. JONES & ASSOC., INC.**

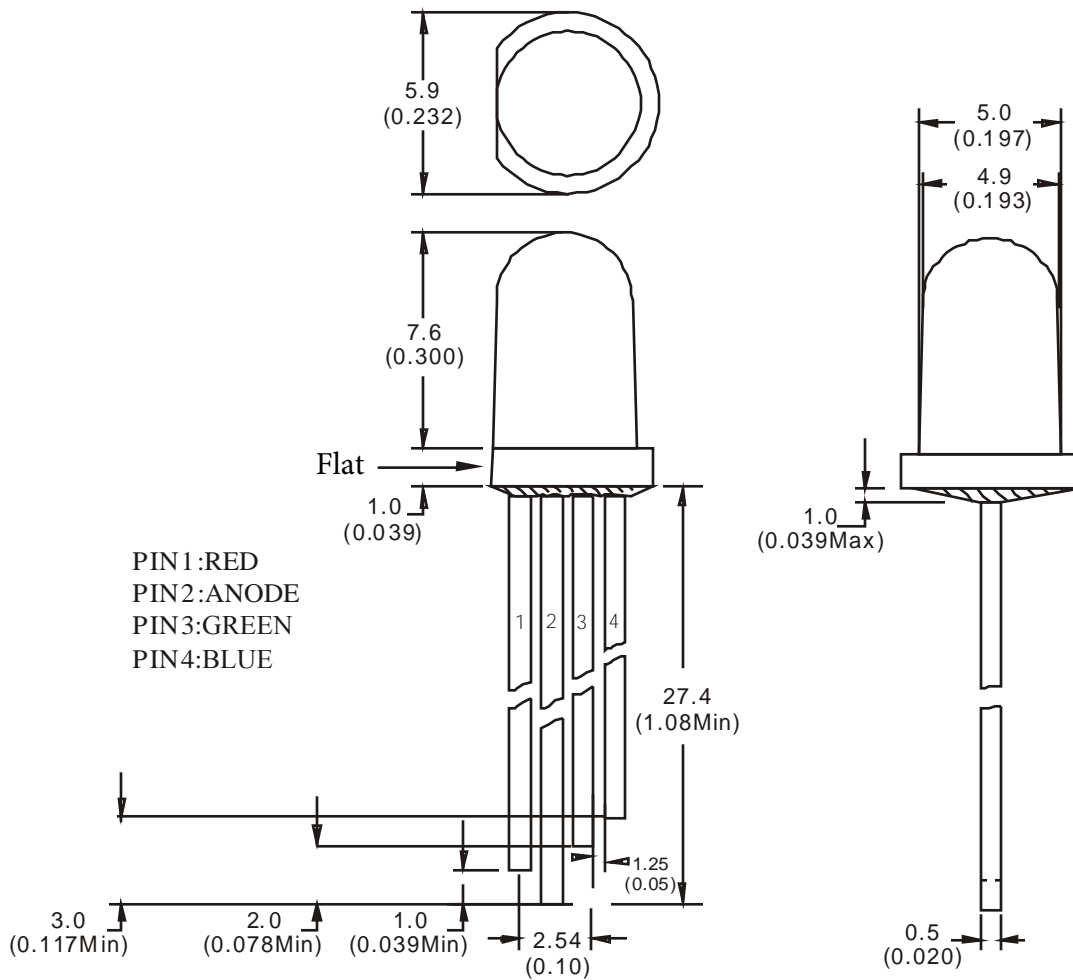
P.O. Box 530400 Lake Park, FL 33403  
800-652-6733 FAX 561-844-8764  
WWW.MPJA.COM

# 32602-OP

## RGB FULL COLOR LED LAMP

### COMMON ANODE

Package configuration & Internal circuit diagram:



Information obtained from or supplied by Mpja.com or Marlin P. Jones and Associates inc. is supplied as a service to our customers and accuracy is not guaranteed nor is it definitive of any particular part or manufacturer. Use of information and suitability for any application is at users own discretion and user assumes all risk.



**MARLIN P. JONES & ASSOC., INC.**

P.O. Box 530400 Lake Park, FL 33403

800-652-6733 FAX 561-844-8764

WWW.MPJA.COM