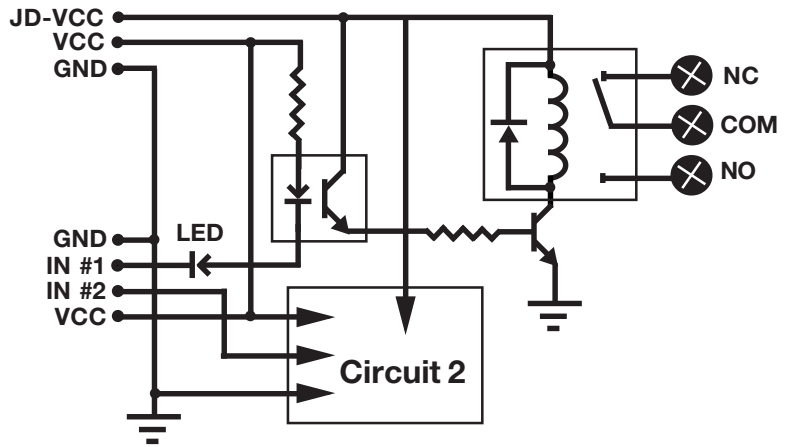


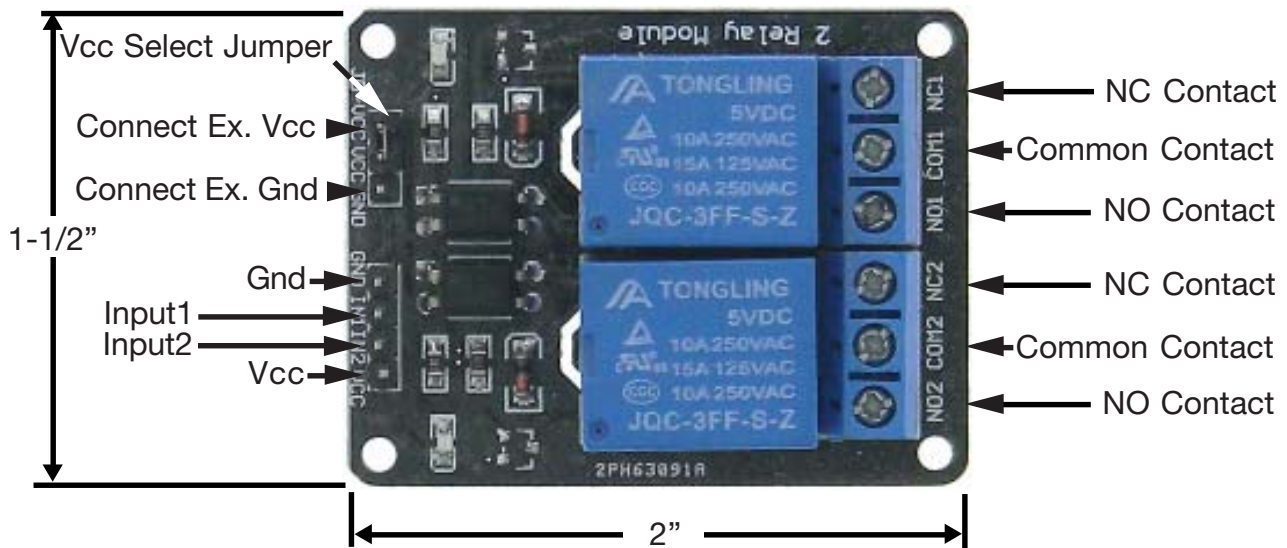
32442-MP

5VDC Dual Relay Board

Opto Isolated input, Dual Relay module for any project.
 Easily driven by an Arduino, other micro controllers or external trigger source.
 Freeware available through www.arduino.cc/en & others
 LED indicators for input activity.
 Ground on Input Actuates Relay
 Power: 5VDC @ 80mA/channel energized
 Jumper Select either Power from CPU or external.
 Input: .1in. Pitch header with Vcc, Gnd, and inputs.
 Input Signal: Ground energizes relay(s)
 Output: Terminal strips
L: 2" W: 1-1/2" H: 3/4" WT: .06



NOTE:
For Isolated 5VDC Power
 Using an External Power Supply
 Remove Jumper Between JD-Vcc & Vcc
 and connect External 5V Supply to JD-Vcc
For Non-Isolated 5VDC
 Using CPU Power
 Leave Jumper Between JD-Vcc & Vcc in place (or Add if missing)
 Grounds are Common



Information including Drawings, Schematics, Links and Code (Software) Supplied or Referenced in this Document is supplied by MPJA inc. as a service to our customers and accuracy or usefulness is not guaranteed nor is it an Endorsement of any particular part, supplier or manufacturer. Use of information and suitability for any application is at users own discretion and user assumes all risk.

Information Subject to Change Without Notice
 All rights are retained by the respective Owners/Author(s)



MARLIN P. JONES & ASSOC., INC.

P.O. Box 530400 Lake Park, FL 33403
 800-652-6733 FAX 561-844-8764
 WWW.MPJA.COM