

32395-MP

2A Pololu RepRap StepMotor Driver

StepStick Step Motor Driver for Microcontrollers

A4988 based Micro sized "StepStick" driver board for 3D printers such as the Pololu RepRap.

Adjustable Current control

Programmable Step: Full/Half/Forth/Eighth/16th.

Short Circuit Portected Outputs, Thermal Shutdown, Undervoltage Lockout

Drive Type: Dual "H"

Logic Power: 3.3V or 5VDC

Motor Power: 8-35VDC

Input Signal: TTL logic

Max Current: 2A/Phase (Max total power: 25W)

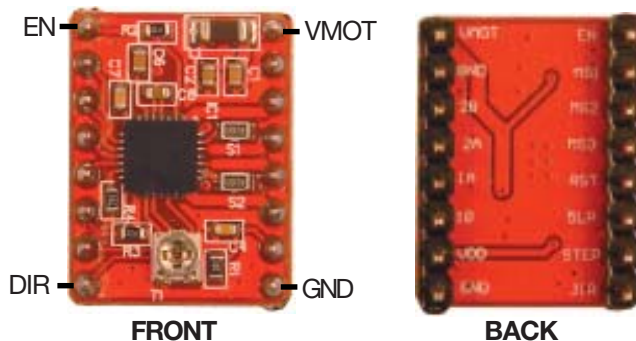
.1in Pitch X 0.5" Header pins for RepRap board mounting

Board: 50mm X 44mm

L: 13/16"

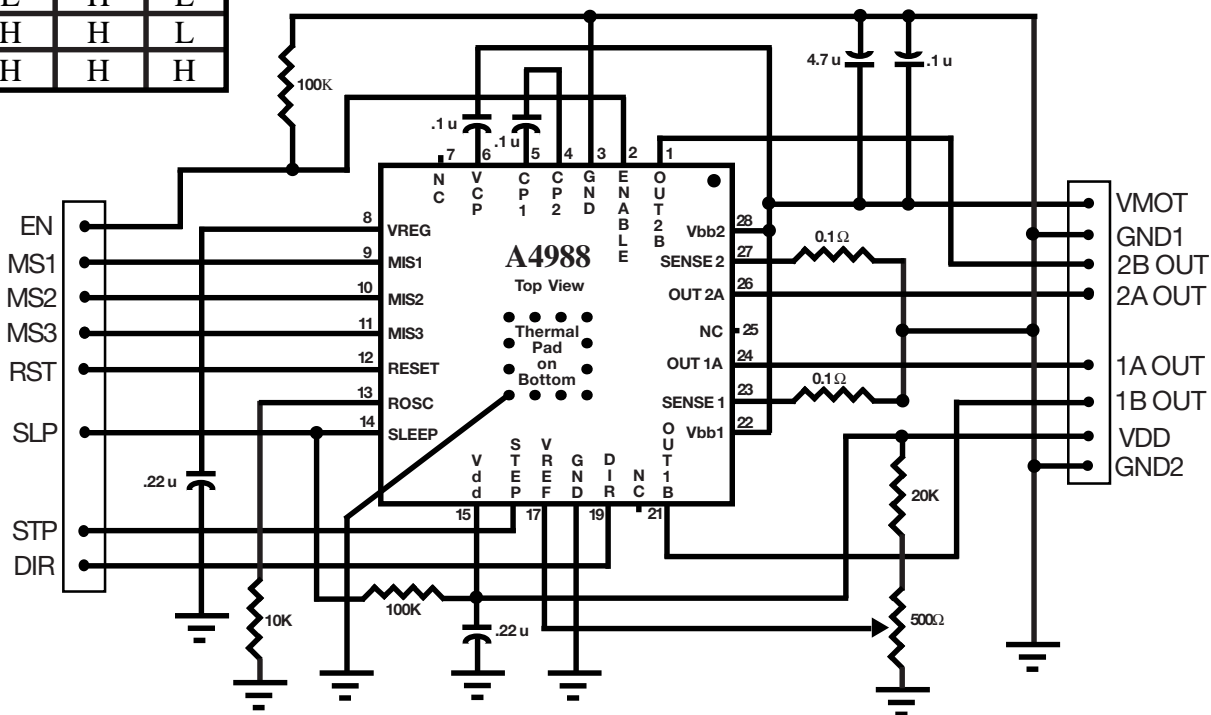
W: 9/16"

WT: .001



STEP MODE INPUT

Step Mode	MS1	MS2	MS3
1/1	L	L	L
1/2	H	L	L
1/4	L	H	L
1/8	H	H	L
1/16	H	H	H



Information obtained from or supplied by Mpja.com or Marlin P. Jones and Associates inc. is supplied as a service to our customers and accuracy is not guaranteed nor is it definitive of any particular part or manufacturer. Use of information and suitability for any application is at users own discretion and user assumes all risk.



MARLIN P. JONES & ASSOC., INC.

P.O. Box 530400 Lake Park, FL 33403

800-652-6733 FAX 561-844-8764

WWW.MPJA.COM