

32367-MP

State of the Art Hydrogen Gas Sensor Module for Microcontrollers

MQ-8 sensor coupled with a simple adjustable comparator circuit using a LM393 IC. Detects Hydrogen gas in the air. Designed to interface to a Arduino or other micro controllers. Freeware available through www.arduino.cc/en and other web sites.

Power: 5VDC

Outputs: TTL Compatible Digital & Sensor Direct Analog

4 Pin .1in Header pins for Power & Output

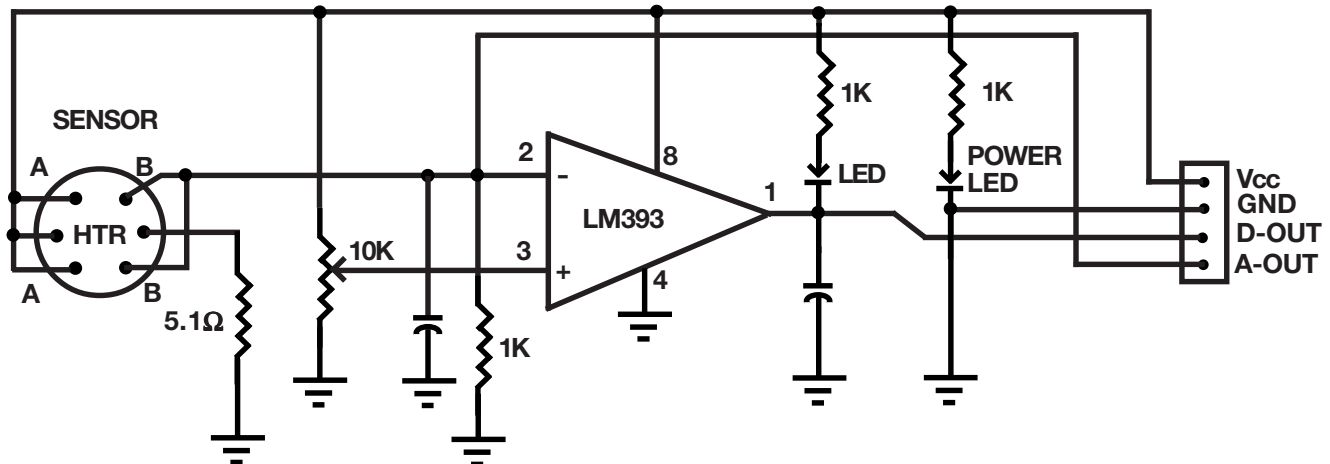
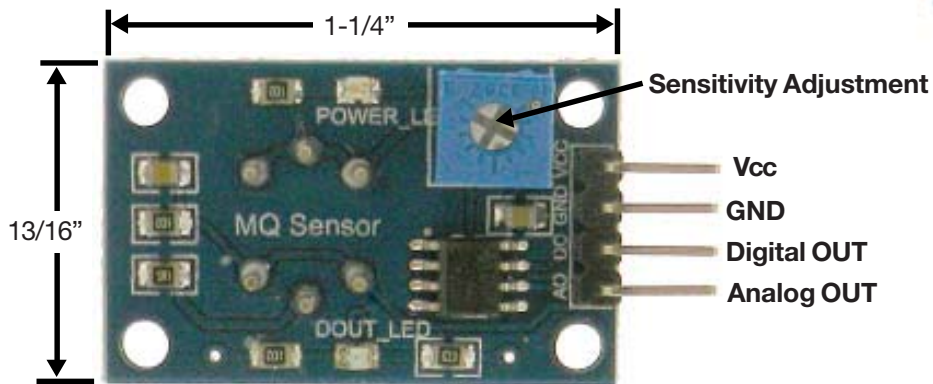
LED for Output and Power status indication.

Detection Zone: 100-10000ppm

Response Time: <10Sec. Recovery Time: <30Sec.

Environmental: -10 to +50C, Humidity; <95%, <21% Oxygen

L: 1-1/4" W: 13/16" H: 7/8" WT: .02



Information obtained from or supplied by Mpja.com or Marlin P. Jones and Associates inc. is supplied as a service to our customers and accuracy is not guaranteed nor is it definitive of any particular part or manufacturer. Use of information and suitability for any application is at users own discretion and user assumes all risk.



MARLIN P. JONES & ASSOC., INC.

P.O. Box 530400 Lake Park, FL 33403

800-652-6733 FAX 561-844-8764

WWW.MPJA.COM