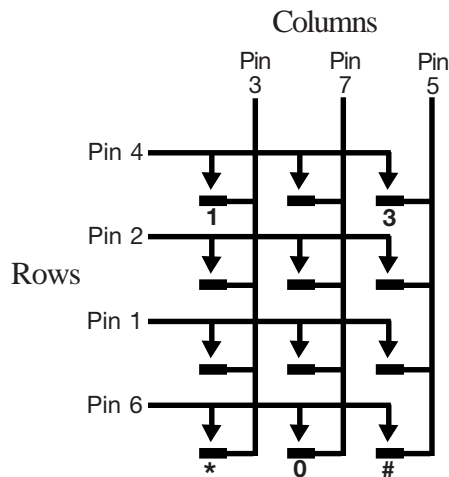
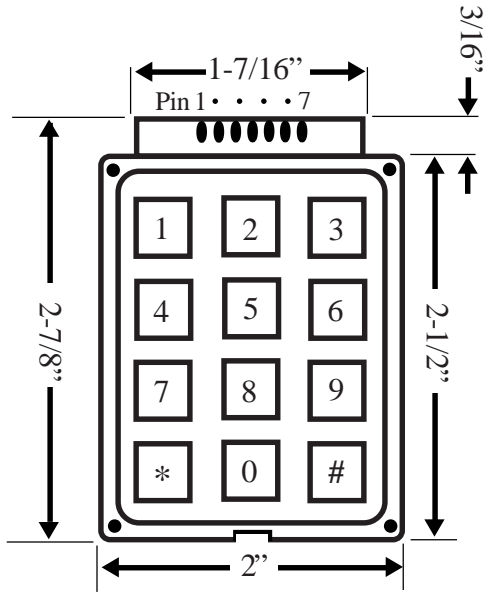


# 32340-SW

## Metal X/Y 12 Button Keypad

Heavy duty numeric, phone style 3X4 metal Keypad.  
 Metal bezel, metal keytops, black legend and gold plated solder pads for connections.  
 Actuation Force: ~100gms  
 Contacts rated: 200mA max @ 24VDC,  
 Contact Resistance: 200ohms max.



Button	Row	Pin	Col.	Pin
1	1	4	1	3
2	1	4	2	7
3	1	4	3	5
4	2	2	1	3
5	2	2	2	7
6	2	2	3	5
7	3	1	1	3
8	3	1	2	7
9	3	1	3	5
*	4	6	1	3
0	4	6	2	7
#	4	6	3	5

Information obtained from or supplied by Mpja.com or Marlin P. Jones and Associates inc. is supplied as a service to our customers and accuracy is not guaranteed nor is it definitive of any particular part or manufacturer. Use of information and suitability for any application is at users own discretion and user assumes all risk.



**MARLIN P. JONES & ASSOC., INC.**

P.O. Box 530400 Lake Park, FL 33403  
 800-652-6733 FAX 561-844-8764  
 WWW.MPJA.COM