

# 32183-SC

## PIR Module with Relay

Omnidirectional PIR Motion Detector for optimized for the Human Body.  
SPST-NO relay output.

Power: 12VDC <50ua. Standby; ~50mA Relay Activated

Adj. Delay: ~18sec to ~3min.

Output: +12V SPST-NO Relay is internally connected to +12V when activated

Range: Cone shape; 5-8m @ 0deg. (Head on) 3-4m @ + & -70deg.

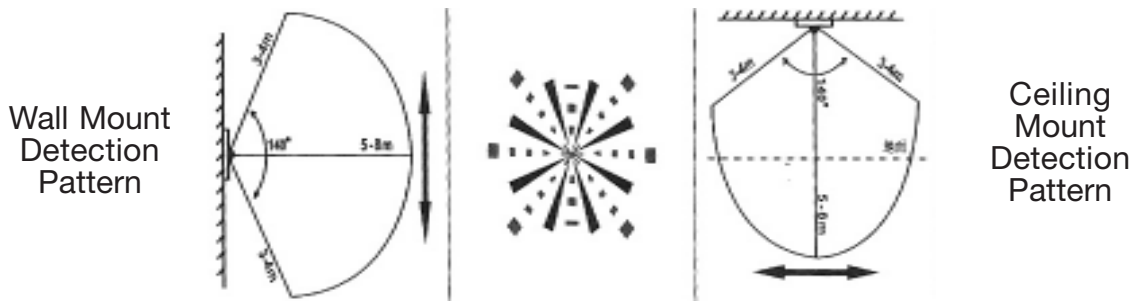
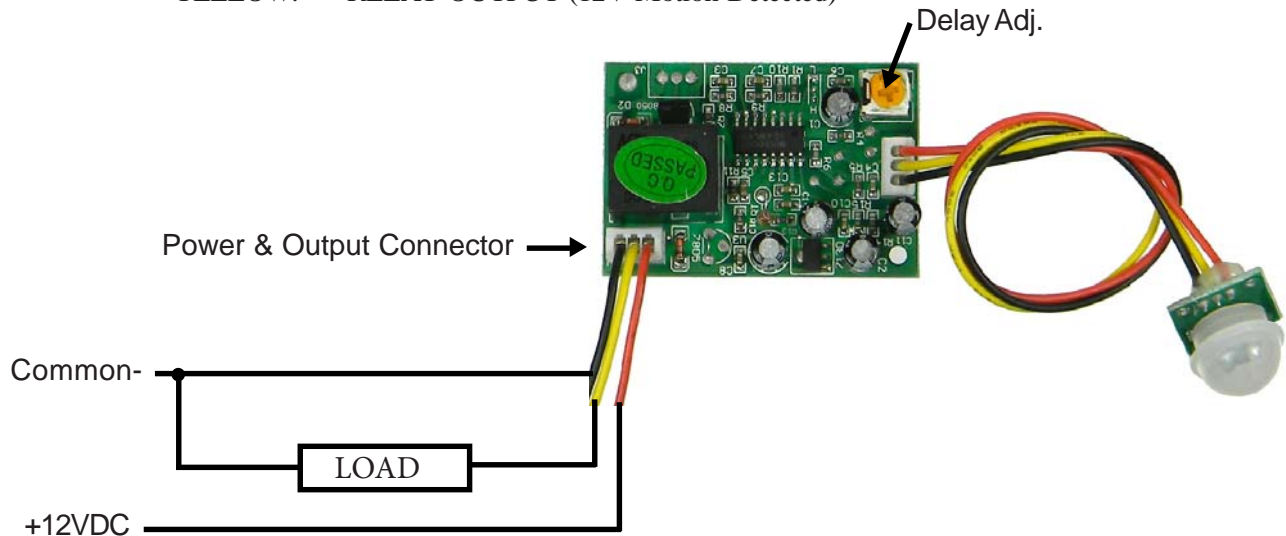
[Note:]Due to wire AWG Output current limited to 1A

6" pigtail leads In/Out, 6" leads for Sensor

Sensor should not be mounted facing heat sources or bright lights.

L: 1-13/16" W: 1-3/16" H: 5/8" WT: .08

RED: +12VDC  
BLACK: -12VDC (Common)  
YELLOW: RELAY OUTPUT (12V Motion Detected)



Information obtained from or supplied by Mpja.com or Marlin P. Jones and Associates inc. is supplied as a service to our customers and accuracy is not guaranteed nor is it definitive of any particular part or manufacturer. Use of information and suitability for any application is at users own discretion and user assumes all risk.



**MARLIN P. JONES & ASSOC., INC.**

P.O. Box 530400 Lake Park, FL 33403

800-652-6733 FAX 561-844-8764

WWW.MPJA.COM