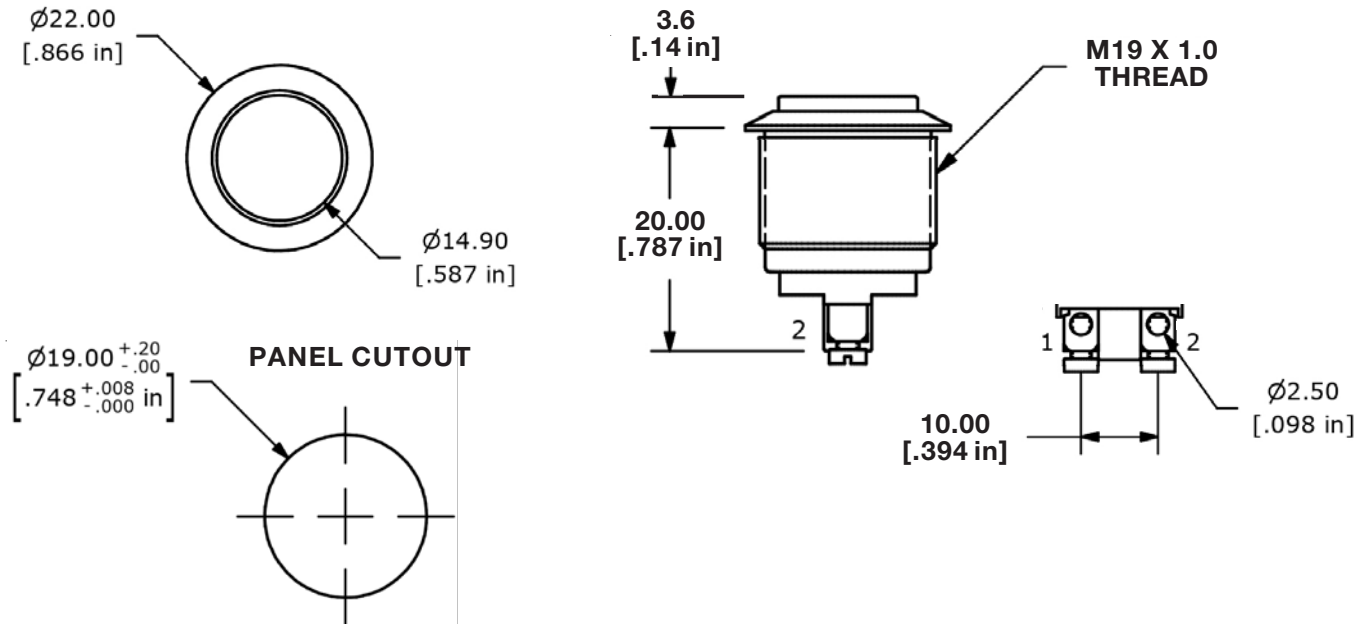


# 32099-SW

## SPST-N.O. Push Button Switch, Stainless Steel

Polished stainless steel with a Raised Flat Button.  
SPST-NO, Pushbutton switch with metal body.  
Mounts in a 3/4" (19mm) hole.  
Contacts Rated: 5A @ 110VAC, 3A @ 220VAC.  
Compression screw Terminals.  
**DIA:** 7/8" (22mm) **Mtg.:** 3/4" hole **L:** 1-1/8" O/A **WT:** .04



Information including Drawings, Schematics, Links and Code (Software) Supplied or Referenced in this Document is supplied by MPJA inc. as a service to our customers and accuracy or usefulness is not guaranteed nor is it an Endorsement of any particular part, supplier or manufacturer. Use of information and suitability for any application is at users own discretion and user assumes all risk.

All rights are retained by the respective Owners/Author(s)



**MARLIN P. JONES & ASSOC., INC.**

P.O. Box 530400 Lake Park, FL 33403  
800-652-6733 FAX 561-844-8764  
WWW.MPJA.COM