

32063-ME

Panel Mount DC Volt/Amp Meter

Snap-in LED panel meter contains both a 3 digit DC Digital Volt Meter and a 3 digit DC Amp. meter.
External 100A/75mV Shunt can be mounted remotely; 5m max using 18AWG Twisted Pair
includes 100A Shunt

Character Height: 0.28in.

Input Voltage: 3.5-30VDC

Resolution: 0.1V

Input Range Amps: 0-100A (99.9)

Resolution: Amps: .1

Accuracy: +-1% +-1LSD

Input Voltage must be between 3.5 & 30VDC

Ammeter Shunt Connects in the return side of Load

Shunt: L: 4-1/4" W: 7/8" H: 1" (inc. Bolts)

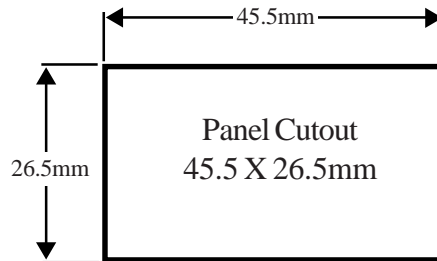
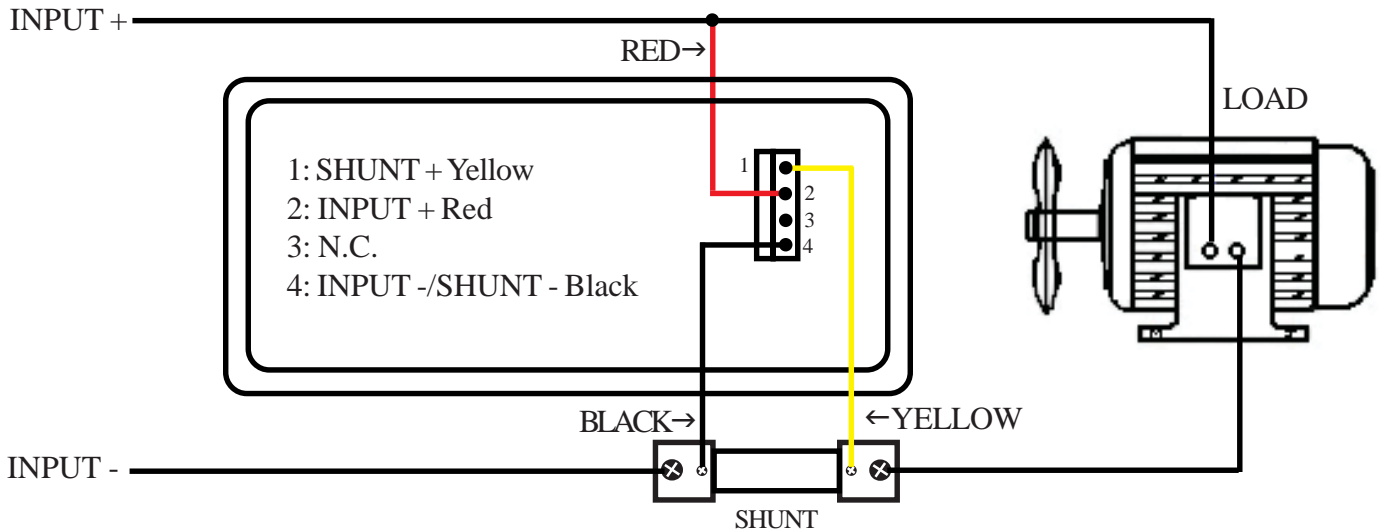
Meter W: 1-7/8" H: 1-1/8" D: 1"

WT: .4

Cutout: 45.5mm X 26.5mm



SHUNT +
INPUT +
INPUT -/SHUNT -



Information obtained from or supplied by Mpja.com or Marlin P. Jones and Associates inc. is supplied as a service to our customers and accuracy is not guaranteed nor is it definitive of any particular part or manufacturer. Use of information and suitability for any application is at users own discretion and user assumes all risk.



MARLIN P. JONES & ASSOC., INC.

P.O. Box 530400 Lake Park, FL 33403
800-652-6733 FAX 561-844-8764
WWW.MPJA.COM