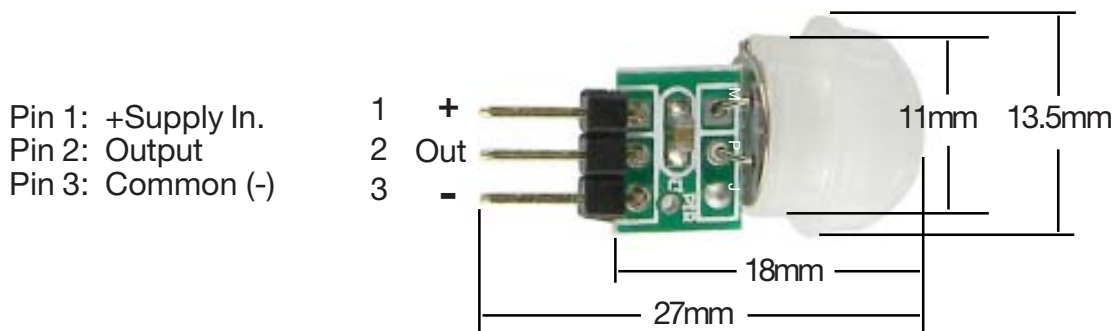


32061-SC

PIR MOTION DETECTOR

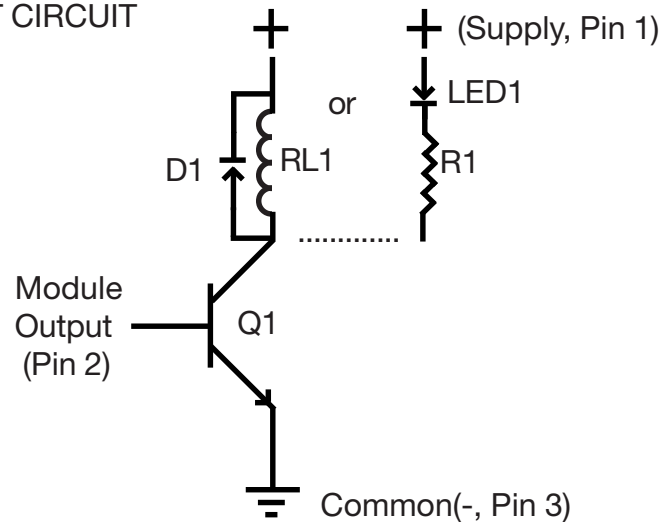
Ultra Mini Dual Element PIR Motion Detectors designed for the human Body.
3V digital (TTL) output to drive Your external transistor & relay (not included)

Compact Size:	Dia: 13.5mm L: 18mm Wt: .08
Supply Voltage:	2.7-12VDC
Current Drain:	<.5mA
Output:	0V Low/>3V High (Detected Movement) <300uA Source
Recycle Delay:	~2sec after hold time Continuous Movement yields Continuous Output
Hold Time:	~2 sec.
Range:	~4 meters
Lens:	Plastic Omni Fresnel
Detection Angle:	~100Degrees
Terminals:	.025in Sq. Header Pins on 0.10in Spacing (mate not supplied)



TYPICAL OUTPUT CIRCUIT

- Q1: PN2222
- R1: 5V Supply 220 Ohm, 1/4W
12V Supply 510 ohm, 1/4W
- RL1: Dependent on Supply Voltage
Sensitive coil
- LED1: Any standard 20mA LED
- D1: 1N4001 diode



MARLIN P. JONES & ASSOC., INC.

P.O. Box 530400 Lake Park, FL 33403
800-652-6733 FAX 561-844-8764
WWW.MPJA.COM