

32048-PS

Adjustable Regulator Board with Auxillary +9V Output

Mini AC/DC power supply built around the LM317 linear regulator.

Adjustable Output

Input/Output Differential: 40V Max 3VMin
(Input must exceed Output by 3Vmin for operation)

AC Input: 5-30V

DC Input: 5-40V

Output Voltage: 1.3-37V Adjustable

Rated Current: 1.5A (50Wmax Output)

Fixed 9V Output

Output that shares the input with the adj. portion.

In order to utilize this feature the Input must be 10-30VAC or 12-30VDC

Output: 9VDC at .5A

Regulation: 4%

Input: Terminal strip Input

Output: Terminal Strip For Adjustable Output

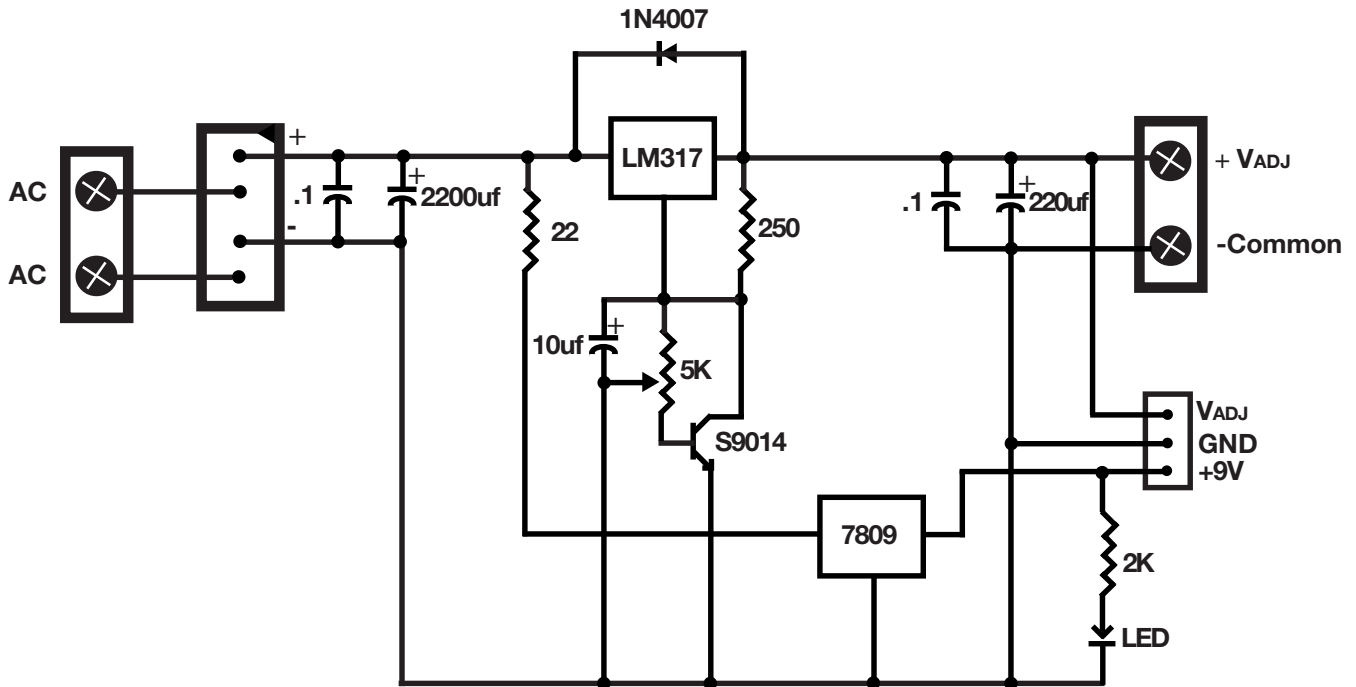
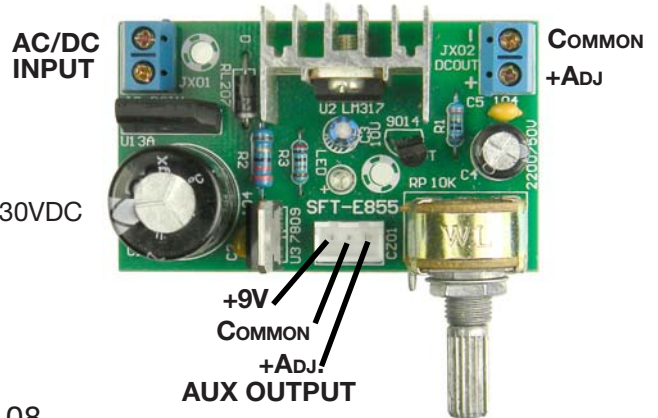
Header for Fixed +9V, +Adjustable & Common

L: 2-5/8"

W: 1-3/4"

H: 1/2"

WT: .08



Information obtained from or supplied by Mpja.com or Marlin P. Jones and Associates inc. is supplied as a service to our customers and accuracy is not guaranteed nor is it definitive of any particular part or manufacturer. Use of information and suitability for any application is at users own discretion and user assumes all risk.



MARLIN P. JONES & ASSOC., INC.

P.O. Box 530400 Lake Park, FL 33403
800-652-6733 FAX 561-844-8764
WWW.MPJA.COM