

# 31952-MP

## 10 Bit Digital/Analog Converter Module

Mini 10 Bit Converter for Microcontrollers

Serial CMOS D/A converter based on the TLC5615 Chip.

Converter has precision internal conversion from current to voltage for ease of use.

All Pins brought to headers.

Jumper Selectable onboard TL431A reference or external reference source. Serial input including SPI, QSPI & Microwire using Din, Sclk & CS. DOUT pin allows for daisy chaining. 16, 12, or 10 bit data (using 2 or 6 dummy bits.)

Power: 5VDC

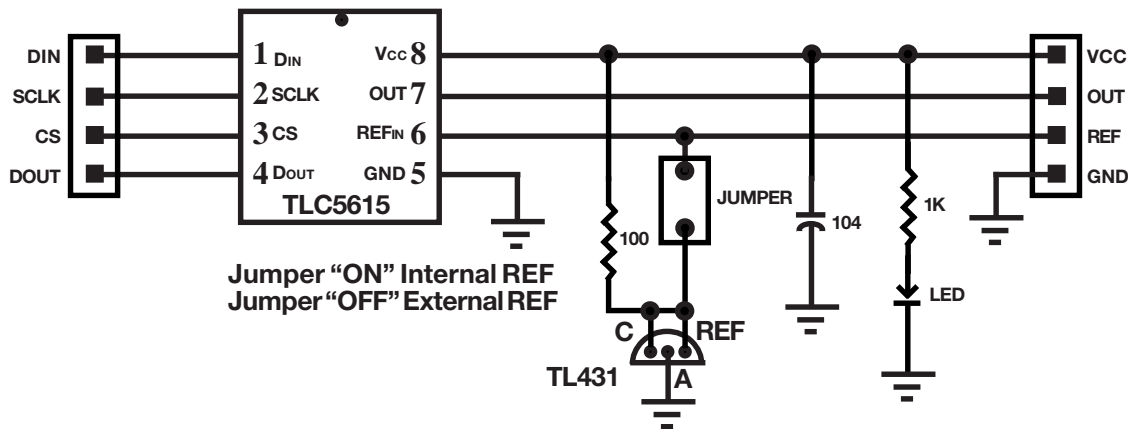
Output:  $Voltage = 2(V_{ref}) \cdot (\text{data} / 1024) @ 20mA \text{ max}$

Input: 10 Data bits with either 2 or 6 dummy bits

See TLC5615 Data Sheet for data format

Connectors: Dual 4 X 1 X .1" Pitch headers

LED Power Indicator



Information including Drawings, Schematics, Links and Code (Software) Supplied or Referenced in this Document is supplied by MPJA inc. as a service to our customers and accuracy or usefulness is not guaranteed nor is it an Endorsement of any particular part, supplier or manufacturer. Use of information and suitability for any application is at users own discretion and user assumes all risk.

All rights are retained by the respective Owners/Author(s)



**MARLIN P. JONES & ASSOC., INC.**

P.O. Box 530400 Lake Park, FL 33403

800-652-6733 FAX 561-844-8764

WWW.MPJA.COM