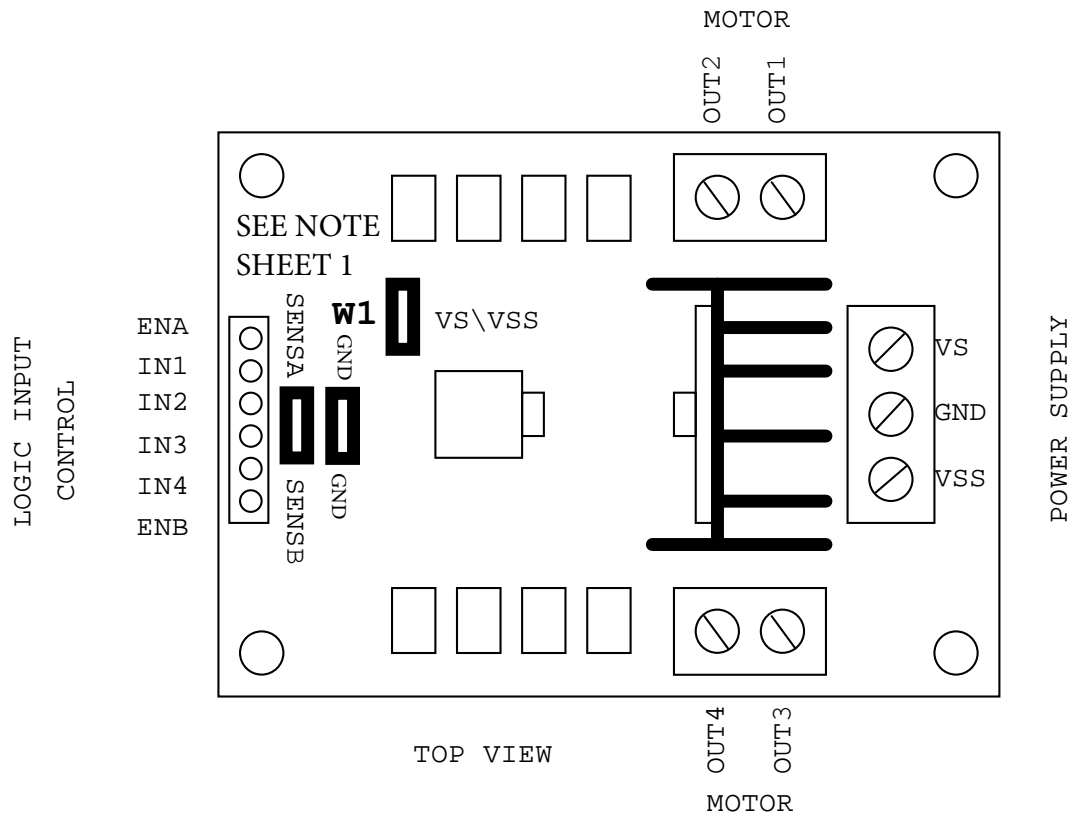


NOTE:

- 1: For 5VDC use only:
Connect Jumper W1 and Supply +5V to VSS Terminal
- 2: For up to 14VDC MOTOR INPUT:
Remove Jumper W1 and Supply up to 14VDC to VS (V Motor) Terminal

www.mpja.com		
Title		
L298 STEPPER MOTOR DRIVER		
Size A	Document Number	Rev
	31595-MP	
Date:	Friday, August 01, 2014	Sheet 1 of 1



SEE NOTE
on SHEET 1

PAGE 2 OF 2

Information including Drawings, Schematics, Links and Code (Software) Supplied or Referenced in this Document is supplied by MPJA inc. as a service to our customers and accuracy or usefulness is not guaranteed nor is it an Endorsement of any particular part, supplier or manufacturer. Use of information and suitability for any application is at users own discretion and user assumes all risk.

All rights are retained by the respective Owners/Author(s)

www.mpja.com		
Title L298 STEPPER MOTOR DRIVER		
Size A	Document Number 31595-MP	Rev
Date:	Friday, August 01, 2014	Sheet 1 of 1