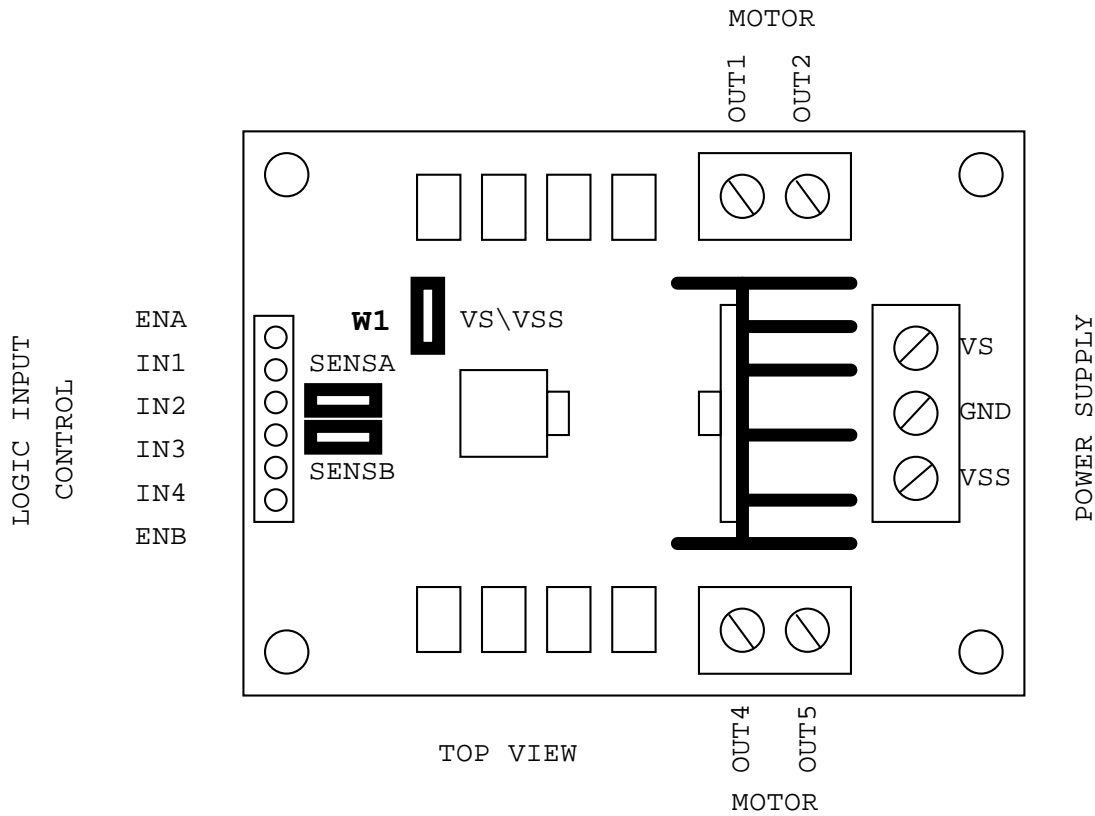


NOTE:
 1: For 5VDC use only:
 Connect Jumper W1 and Supply +5V to VSS Terminal
 2: For up to 14VDC MOTOR INPUT:
 Remove Jumper W1 and Supply up to 14VDC to VS (V Motor) Terminal

www.mpja.com		
Title		
L298 STEPPER MOTOR DRIVER 31595MP		
Size	Document Number	Rev
A	Marlin P. Jones & Assoc, Inc	
Date:	Friday, August 01, 2014	Sheet 1 of 1



SEE NOTE
on SHEET 1

PAGE 2 OF 2

The Information contained herein is supplied as a service to our customers and accuracy is not guaranteed nor is it definitive of any particular part or manufacturer. Use of information and suitability for any application is at users own discretion and user assumes all risk.

www.mpja.com		
Title L298 STEPPER MOTOR DRIVER 31595MP		
Size A	Document Number Marlin P. Jones & Assoc, Inc	Rev
Date:	Friday, August 01, 2014	Sheet 1 of 1