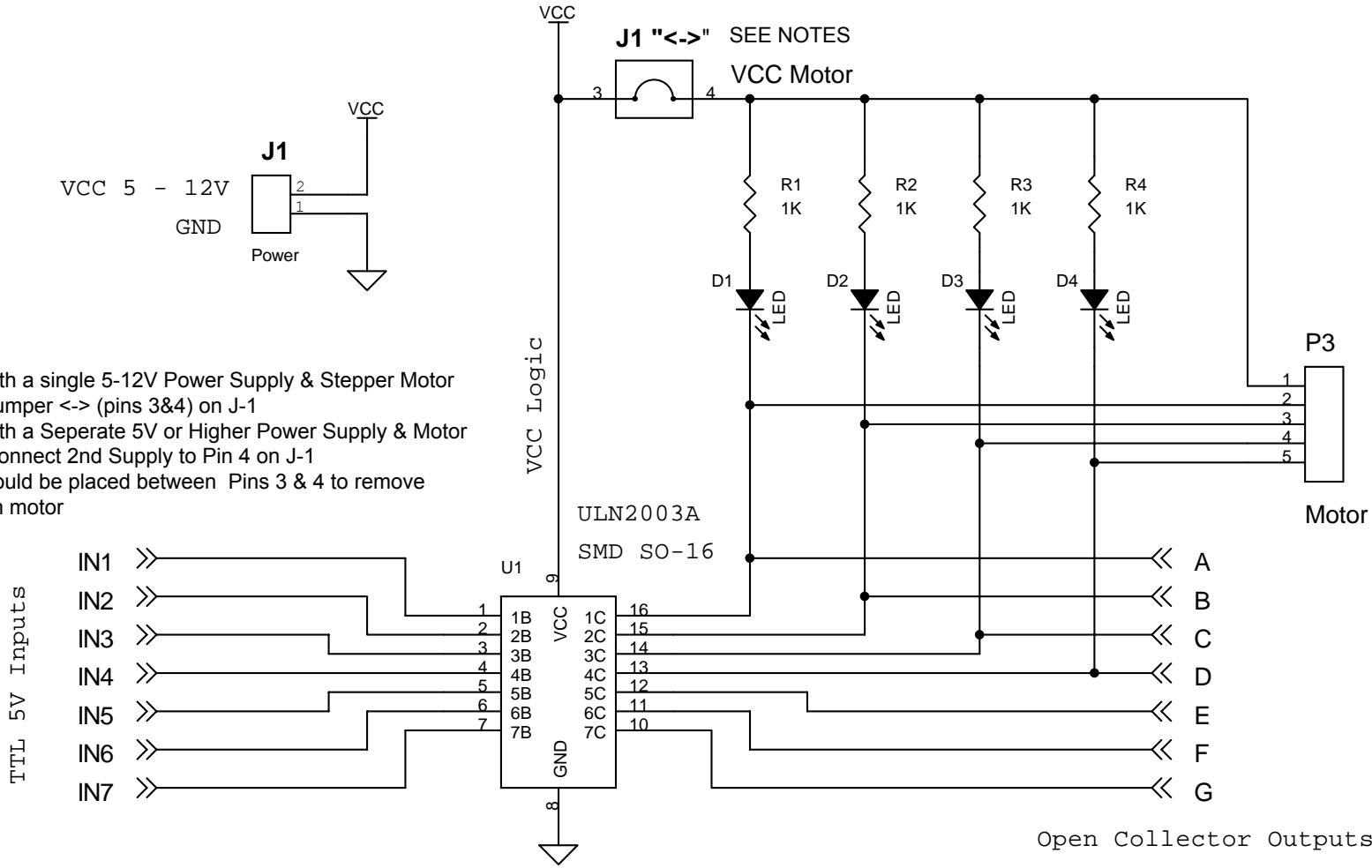
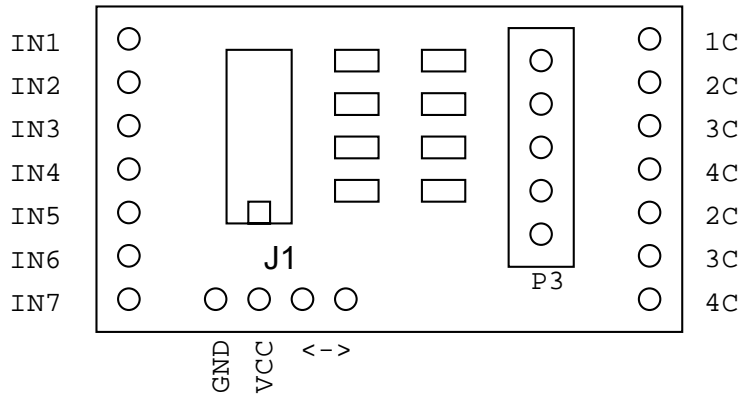


NOTE

For Use with a single 5-12V Power Supply & Stepper Motor
 Jumper <-> (pins 3&4) on J-1
 For Use with a Seperate 5V or Higher Power Supply & Motor
 Connect 2nd Supply to Pin 4 on J-1
 A switch could be placed between Pins 3 & 4 to remove
 power from motor



TOP VIEW



www.mpja.com		
Title		
ULN2003 STEPPER MOTOR DRIVER 31594MP		
Size	Document Number	Rev
A	Marlin P. Jones & Assoc, Inc	
Date:	Friday, July 25, 2014	Sheet 1 of 1