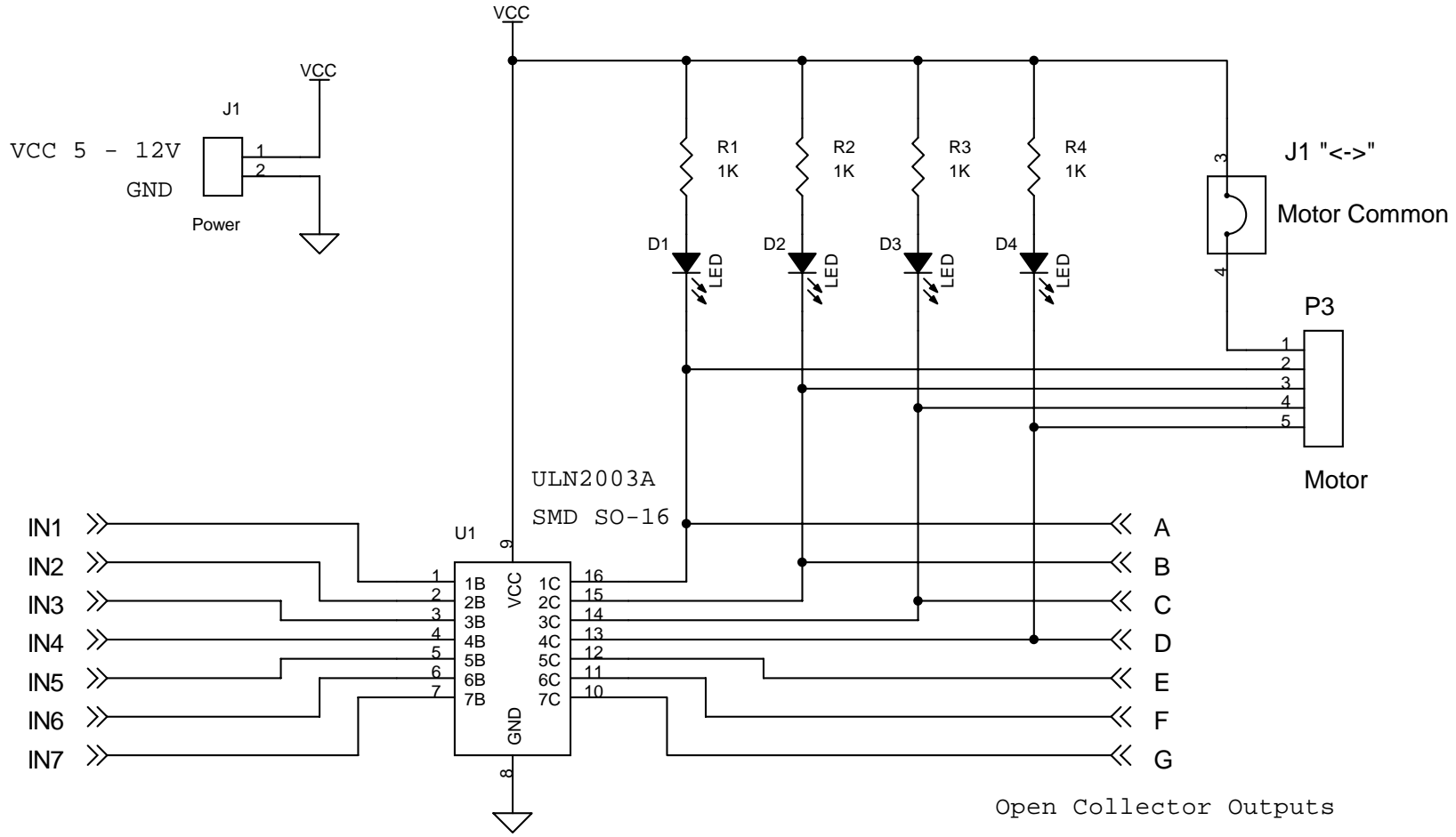
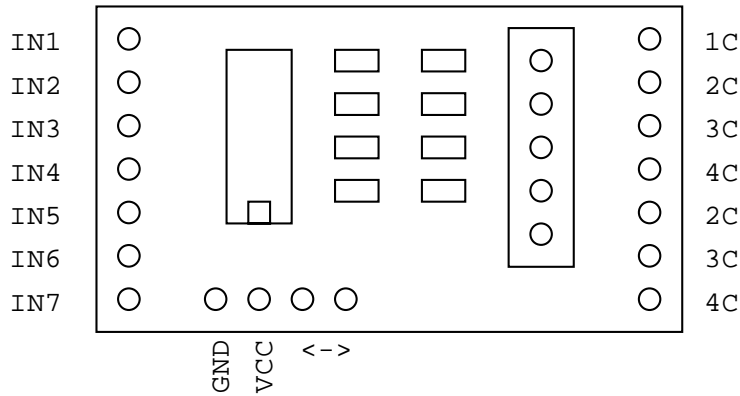


TTL 5V Inputs



TOP VIEW



www.mpja.com		
Title		
ULN2003 STEPPER MOTOR DRIVER 31594MP		
Size	Document Number	Rev
A	Marlin P. Jones & Assoc, Inc	
Date:	Saturday, July 12, 2014	Sheet 1 of 1