

# 31577-MP

## OPTO-INTERRUPTER MODULE

### Arduino Photo Sensor Module

Nifty little board using a Opto-Interrupter. Wide slot sensor ideal for item counts, lever operations, safety switch etc. On board LM393 Comparator for a reliable output.

Power: 3.3-6VDC (5VDC nom)

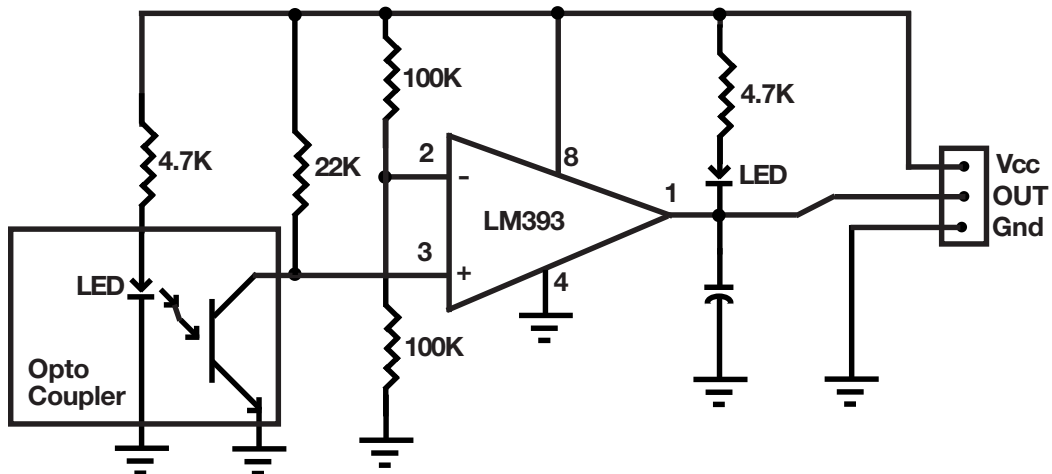
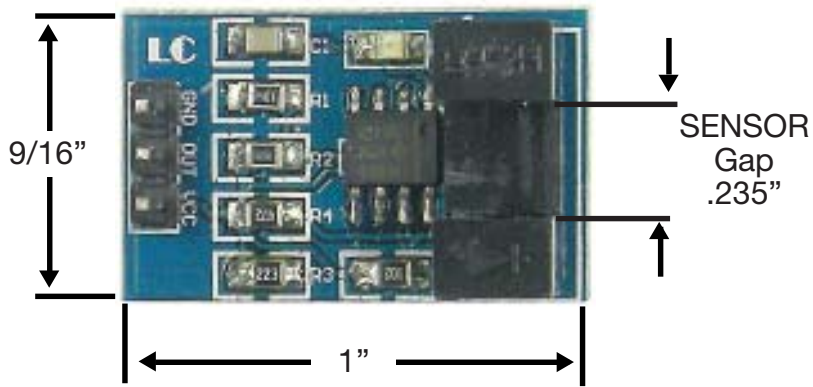
Output: 6mA min @ 5V Current Sink when Obstructed

LED On when Obstructed

Connector: 3 pin male header (.025sq X .1 pitch)

Sensor Gap: .235" Wide X .325" deep gap

L: 1"    H: 9/16"    T: .9/16"    WT: .02



**MARLIN P. JONES & ASSOC., INC.**

P.O. Box 530400 Lake Park, FL 33403  
800-652-6733 FAX 561-844-8764  
WWW.MPJA.COM