

31575-MP

USB TO RS-232 CONVERTER

USB 2.0 Mini module connects host computer (Windows Linux) to a Arduino or other micro controllers. On chip UART, USB Controller, Full Duplex asynchronous serial device to a USB host. Upgrade RS232 to USB.

Supports Windows® up through XP, linux 2.4 & up.

Chip: Silicon Labs CP2102

Power In: 5VDC From USB Port

Power Out: 5V feed through/ 3.3V Generated for External Use

Baud Rate: 300BPs to 1.0MBps

Connections: 6 Pin (.1") header for TXD, RXD, RST, 3.3V, 5V & Gnd.

Holes for 2X3 (.1 pitch) additional headers for RI, DCO,DTR, DSR, RTS & CTS

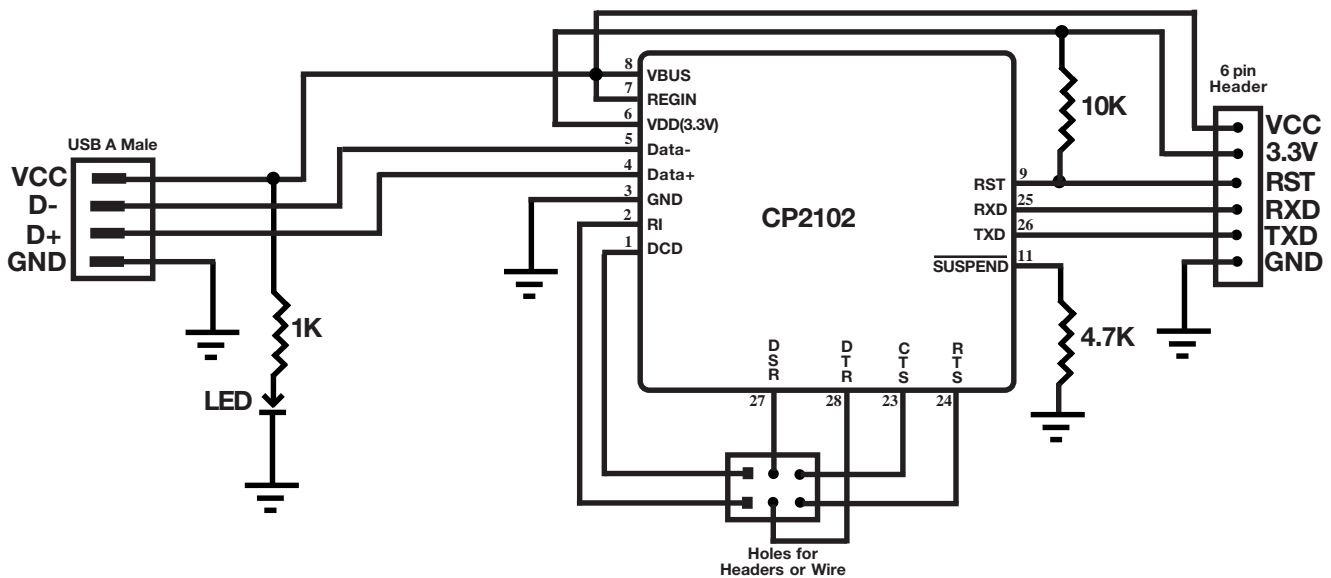
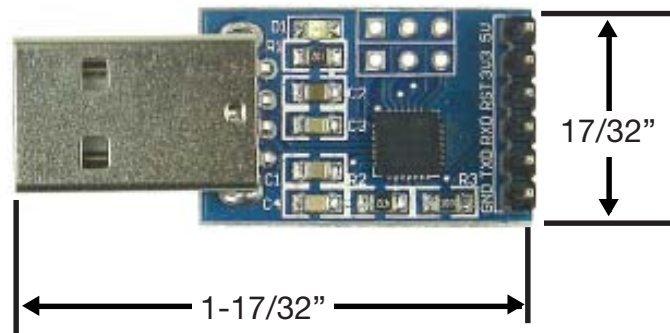
USB 2.0 Type A Male

LED for Power.

CP2102 Datasheet Available from www.Silabs.com

Freeware available through www.arduino.cc.en and others.

L: 1-17/32" O/A W: 5/8 HT: 1/2" WT: .02



MARLIN P. JONES & ASSOC., INC.

P.O. Box 530400 Lake Park, FL 33403
800-652-6733 FAX 561-844-8764
WWW.MPJA.COM