

31574-MP

RS-485 TO TTL CONVERTER

RS-485 Transceiver for Arduino & Microcontrollers

Complete TTL/RS485 interface designed around the MAX485 chip. Designed to connect RS485 single or multiple communicating units to Arduino or other equipment. All MAX485 Pins are available on the 2 header connectors. Terminal strip for connecting the 485 cable. Freeware available through www.arduino.cc/en and others.

Power: 5VDC

Input: Dual 4 Pin (.1") header for connection to uController

Output: Terminal strip

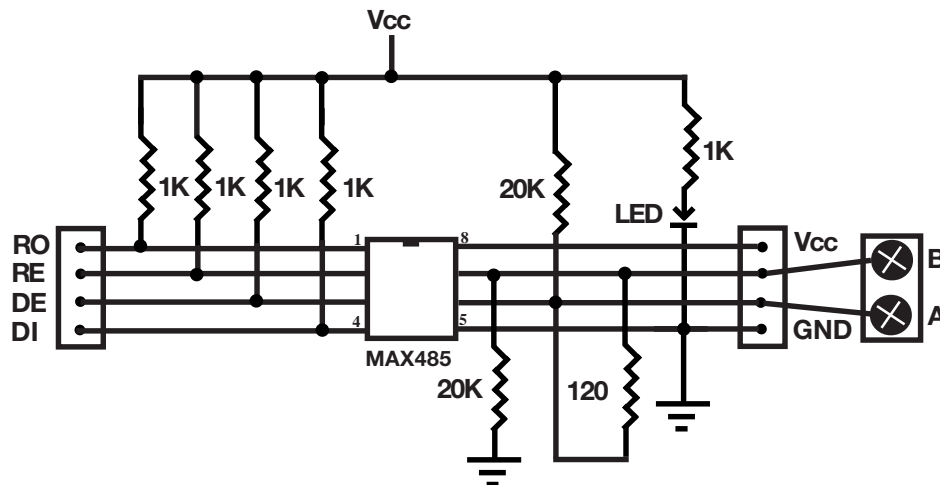
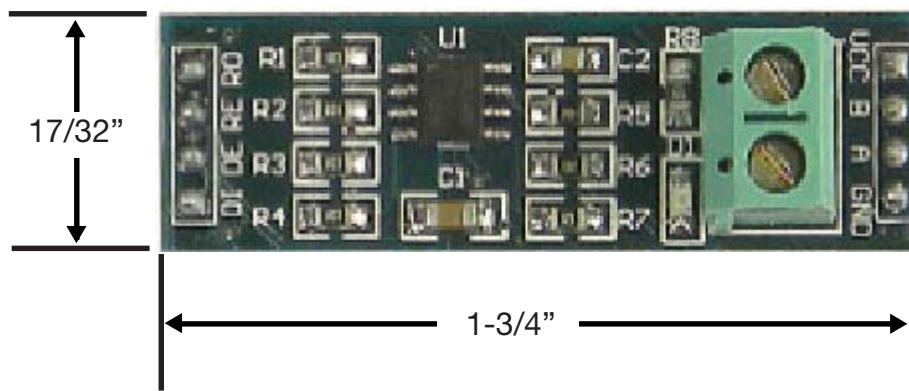
LED for 5V Power.

L: 1-3/4"

W: 17/31"

H: 7/8"

WT: .01



MARLIN P. JONES & ASSOC., INC.

P.O. Box 530400 Lake Park, FL 33403
800-652-6733 FAX 561-844-8764
WWW.MPJA.COM