

31567 ME

Panel Meter, Snap-in, AC Volts, Amps, & Frequency

Snap-in 3 digit LED digital panel meter that measures AC Volts, Amps & Frequency. Meter displays one range at a time with a manual pushbutton switch on the face to change ranges. Ideal for Test Equipment, Solar, Generators & Sine Inverters.

Character Height: 0.8in.

Power: 12VDC +- 10% Isolated (Not Included!!!)

Measured Voltage: 10-600VAC

Measured Range Amps: 1-99.9A

Resolution: Amps: .1A

Measured Frequency: 10-99.9hz

Resolution: 0.1Hz

Accuracy: +-1% +-1LSD

Sample Rate: ~5/Sec.

Terminal Strips for Connections

Includes Mini Current Transformer. .5in. Inside Dia. CE Listed

Recommended plug supplies: 31171 PS, 19466 PS, 18668 PS

W: 3-3/4"

H: 1-15/16"

D: 1"

WT: .22

Current Transformer Input

CURRENT
TRANSFORMER

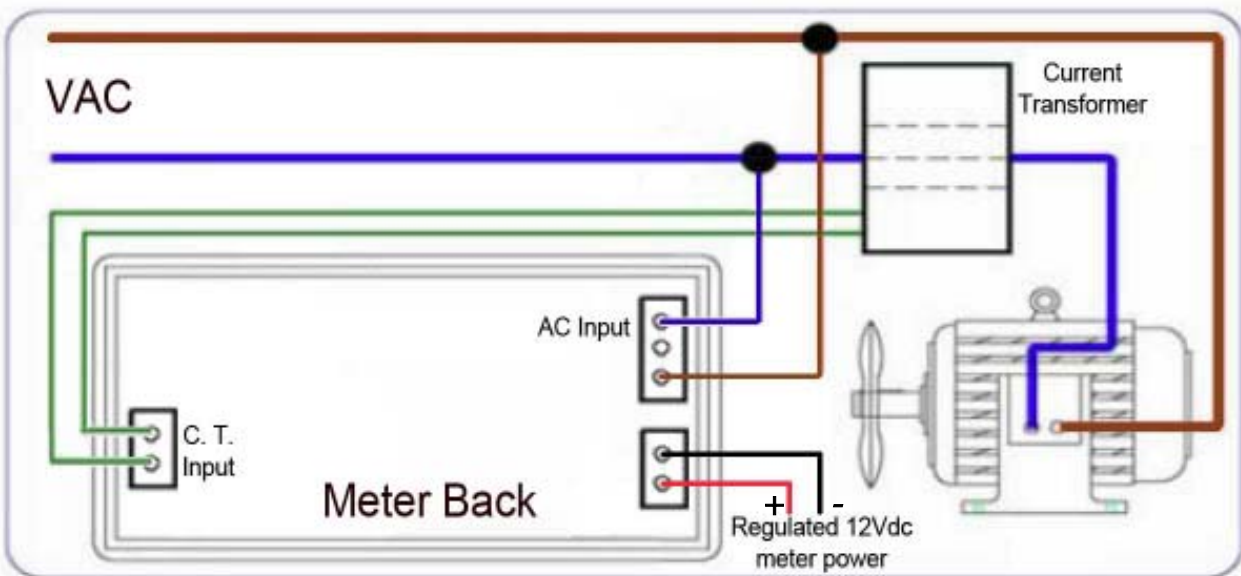
AC Current Input
NOTE: Only one lead of the
AC Line input thru
the current transformer see
diagram below



AC Voltage input
not polarity sensitive

Gnd meter power
+12 meter power

Panel cut out 45.5mm X 93.5mm



MARLIN P. JONES & ASSOC., INC.

P.O. Box 530400 Lake Park, FL 33403

800-652-6733 FAX 561-844-8764

WWW.MPJA.COM