

# 31546-MP

## BAROMETRIC PRESSURE SENSOR

### UPDATED Arduino Digital Pressure Sensor Module

Arduino powered sensor for reading Barometric Pressure (altitude) and Temperature. Built in temp. compensation, Analog/Digital Converter and Control.

Full on board calibration.

4 modes for pressure: Ultra low power, Standard, High Resolution, Ultra High Resolution.

Power: 3.3V or 4.5-12VDC using On-board 3.3V Regulator

Peak Current: 1mA max During Conversion

Noise: <0.02hPa(17cm)

Detector: BOSCH BMP180

Outputs: I2C

Data Rate: 3.5mHz

Word Length: 16/19 bit pressure 16bit temperature

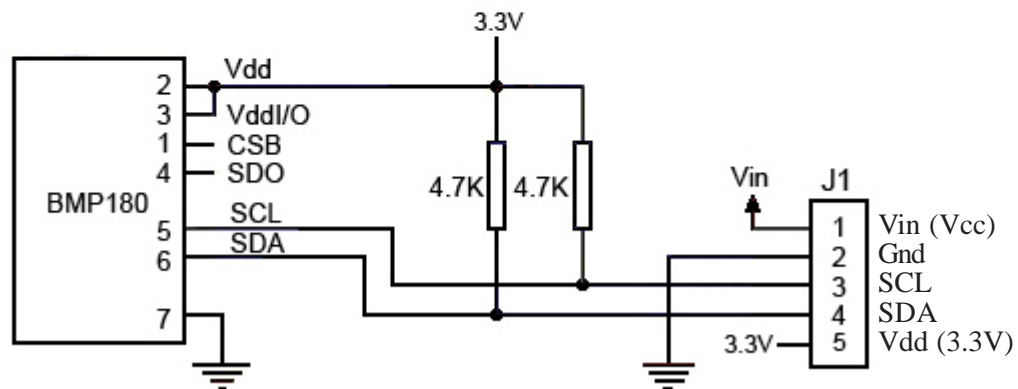
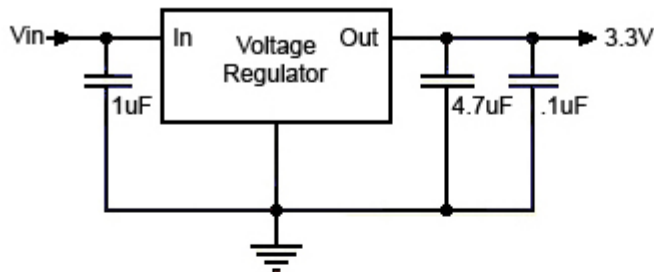
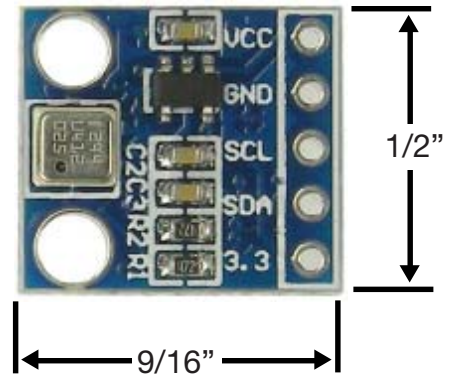
Pressure Range: 300-1100hPa -500 to +9000M below/above sea level

Conversion Time: 4.5mS to 25.5 depending on Mode

Temperature Range: 0-65C

5 Pin I/O header.

L: 9/16" W: 1/2" H: 1/8 WT: .002



**MARLIN P. JONES & ASSOC., INC.**

P.O. Box 530400 Lake Park, FL 33403

800-652-6733 FAX 561-844-8764

WWW.MPJA.COM