

# 31397-PS

## ADJUSTABLE DC/DC CONVERTER

Improved, Non Isolated, Step up (Boost) adjustable DC/DC Converter using the newer XL6009 IC, Ideal Point-of-Use regulator switching Regulator board.

Input/Output Differential should be kept around 2V min to 8V max

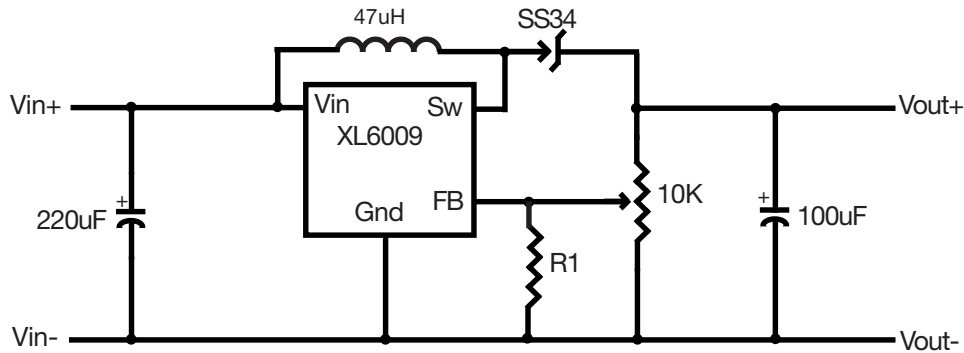
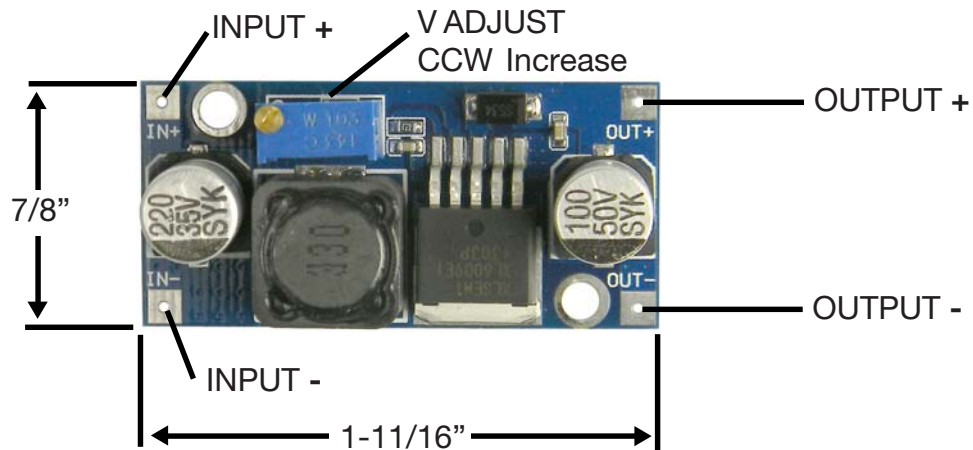
Input: 3-32VDC

Output: 5-35VDC

Rated Current: 2A

Regulation: 0.5%

**HEAT SINK REQUIRED OVER 10W OUTPUT**



R1: Value may be 270 or 330ohms

Information obtained from or supplied by Mpja.com or Marlin P. Jones and Associates inc. is supplied as a service to our customers and accuracy is not guaranteed nor is it definitive of any particular part or manufacturer. Use of information and suitability for any application is at users own discretion and user assumes all risk.



**MARLIN P. JONES & ASSOC., INC.**

P.O. Box 530400 Lake Park, FL 33403  
800-652-6733 FAX 561-844-8764  
WWW.MPJA.COM