

3I393-MS

PM Stepper Motors

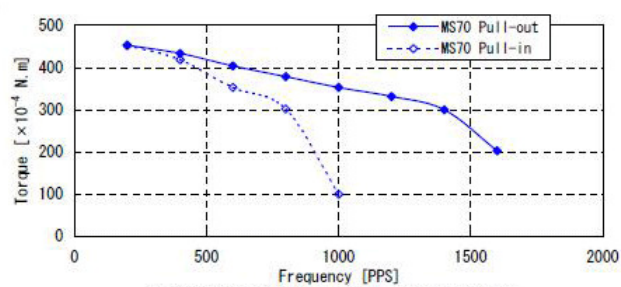
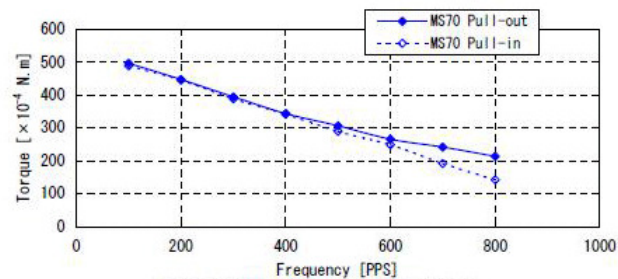


Motor Size	PM42S-096
Number of Steps	96 (3.75deg/Step)
Drive Method	2Phase
Drive Type	Bi-Polar
Drive Voltage	12V
Current/Phase	2.4A
Coil Resistance	5 Ohms
Magnet Type	Nd-Fe-B Bonded
Insulation Resistance	100M Ohms Min.
Dielectric Strength	500VAC (1min.)
Insulation	Class E
Operating Temp.	-10°C to +50°C

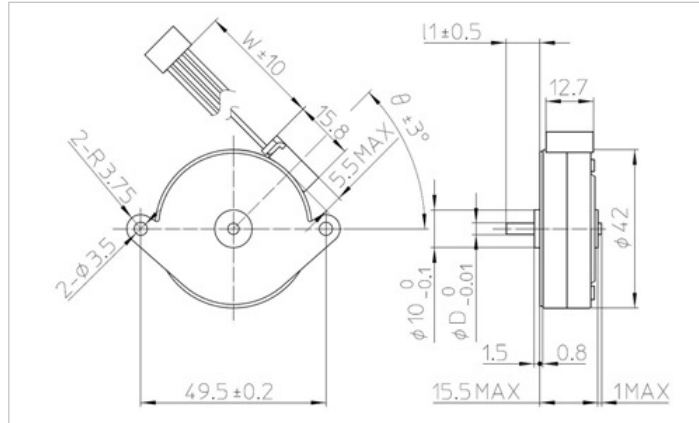
Applications

OA Equipment : Printers / Scanners
 Industrial equipment : Flow control valves
 Toys : Slot machines
 Home automation appliances : Sewing machines

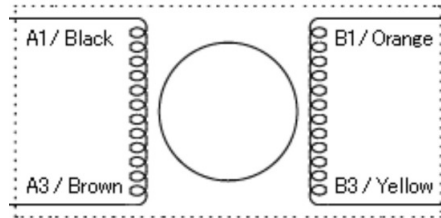
Torque Characteristic



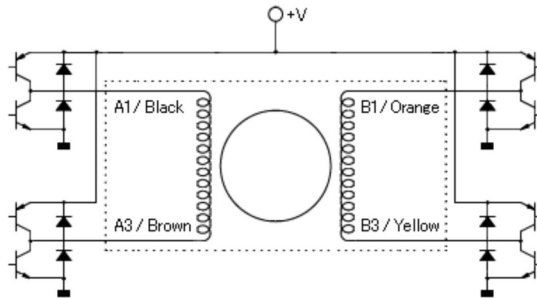
Mechanical



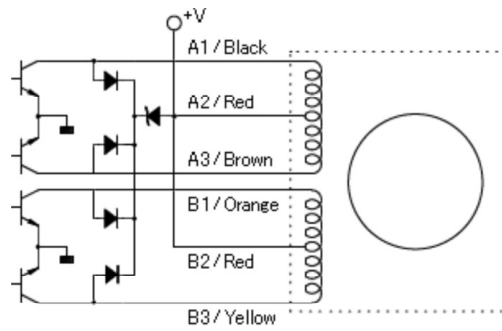
Wire Diagram



BI-POLAR DRIVE



UNI-POLAR DRIVE



NOTE
Center Tap Leads May not be present in wire harness
Available on Motor Connector