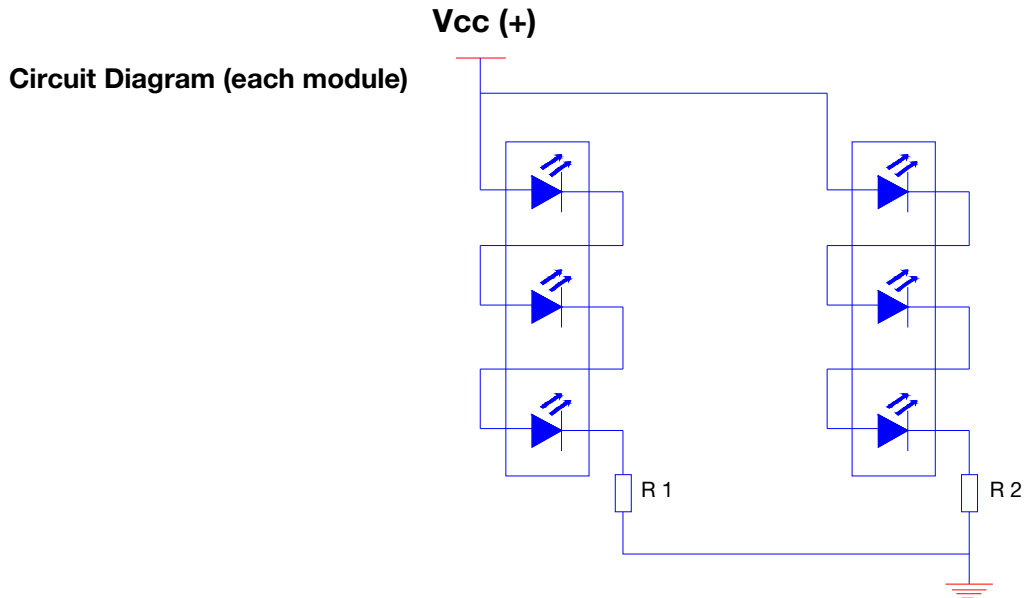
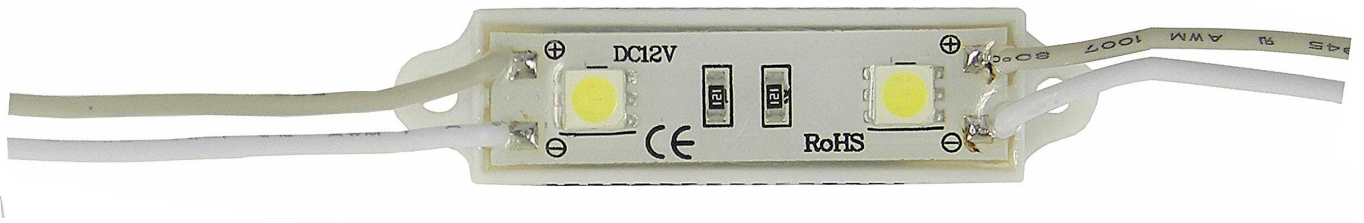


31368-OP

LED Module PRODUCT SPECIFICATION



MARLIN P. JONES & ASSOC., INC.

P.O. Box 530400 Lake Park, FL 33403

800-652-6733 FAX 561-844-8764

WWW.MPJA.COM

31368-OP

Rating Electrical/Optical Characteristics (1 Module)

Item	Red	Yellow	Blue	Green	White
Operation Voltage(V)					DC12
Power Dissipation(W)					0.48
Input Current(mA)					40
Wavelength(nm)					CCT:5000K-6500K
Single LED Luminous Intensity(MCD)					6000
Luminous Flux(lm)					36
Angle(°)	120				
Operation Temperature()	-20~60				
single LED Operating Current(mA)	20				
LED Quantity(pcs)	2				
Dimension:(mm)	L32*W16*H10				
Life Time(hrs)	50000				
net weight:(g)	15				
Approval	CE (NO: E8 06 01 57489 001)				

Rating Electrical/Optical Characteristics (20 Modules)

Item	Red	Yellow	Blue	Green	White
Power Dissipation					9.6W
Total Length					2m±0.1m
Input Current(mA)					800
Weight					300g



MARLIN P. JONES & ASSOC., INC.

P.O. Box 530400 Lake Park, Fl 33403

800-652-6733 FAX 561-844-8764

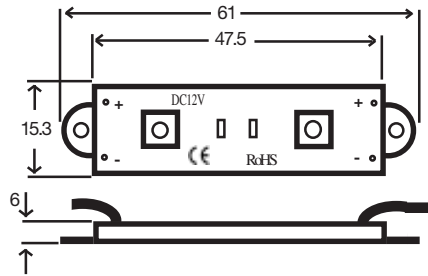
WWW.MPJA.COM

31368-OP

Mechanical Characteristic

Notes:

1. All dimensions are millimeters.
2. Tolerance is ± 1 mm unless otherwise specified.
3. Specifications are subject to change without notice.
4. Dimension: L61*W15.3*H 6mm.without prior notice.



Package

The Backside of the Module has attached "3M" brand double sided tape



MARLIN P. JONES & ASSOC., INC.

P.O. Box 530400 Lake Park, FL 33403

800-652-6733 FAX 561-844-8764

WWW.MPJA.COM