

31367-ME

Multifunction AC Panel Meter

Back-lit, Snap-in LCD panel meter that measures AC Volts, Amps, Watts, Watt hours, Operational Time (Run Time).

Large-screen LCD display, Ideal for submetering and monitoring. 3in. Heavy leads
 Min/Max Input Voltage: 80-270VAC 45-65Hz.

Measurement Range Volts: 80-264VAC Resolution: 0.01V

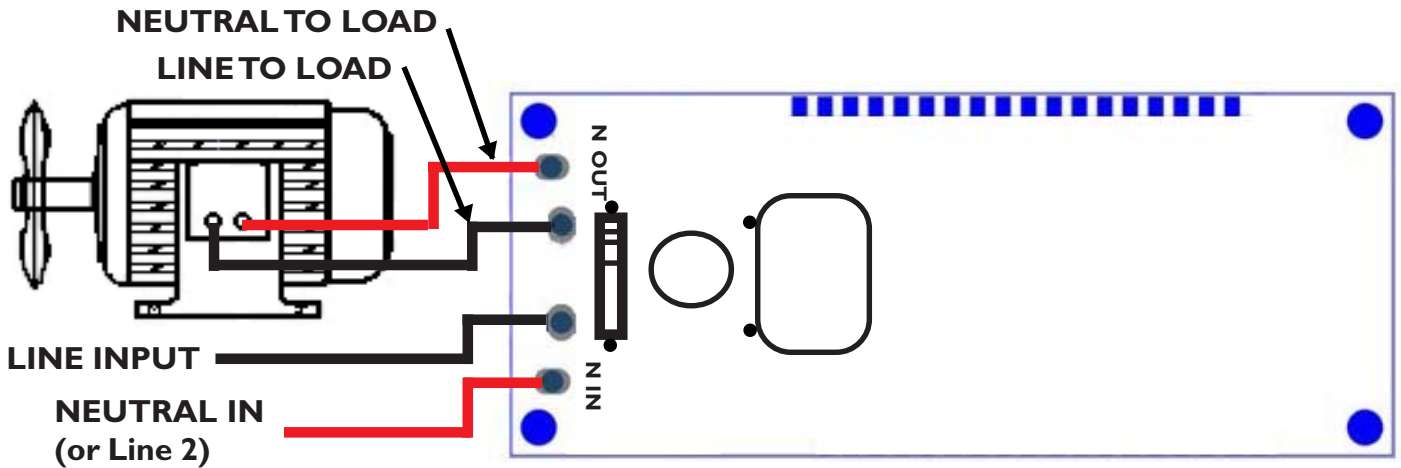
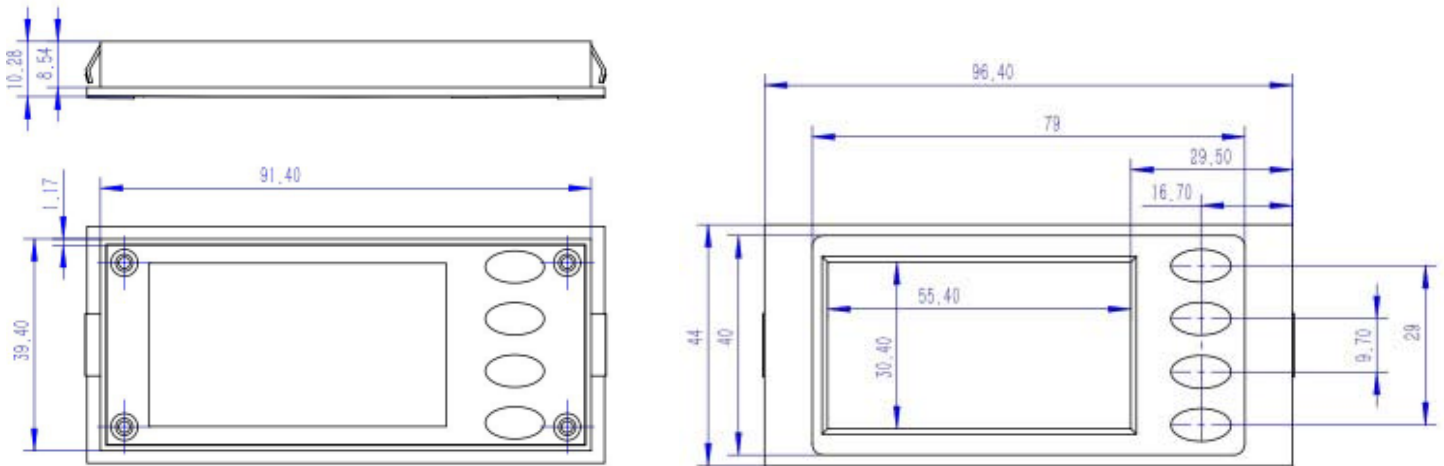
Measurement Range Amps: 0-30A/40A Peak Resolution: .01A

Watts: 0-9000max 6600 recommended Resolution: 0.1W

Energy Used: 0-9999.99KWh Run Time: 0-9999.59 Hours

Accuracy: +-1% +-1LSD

W: 3-3/4" H: 1-3/4" D: 1" WT: .12



For 120VAC Single Phase: Connect Line to Red Line Lead, and Neutral to Black "N IN" Lead

For 220VAC Single Phase: Connect Line 1 to Red Lead, and Line 2 to Black "N IN" Lead



MARLIN P. JONES & ASSOC., INC.

P.O. Box 530400 Lake Park, FL 33403

800-652-6733 FAX 561-844-8764

WWW.MPJA.COM

31367-ME

Multifunction AC Panel Meter

PANEL FUNCTIONS

Display:

Watts, Voltage, Amps, Watt-Hrs. & Run Time (record load cumulative working time).
Overload function (over power alarm threshold: Backlight Flashes.)
Power Alarm Threshold Preset (Used to set power alarm threshold).
Watt Hours, Run Time Clear function keys.
Show Stored data (cumulative Watt-Hrs. before the power save, Run time, display items, back light off state).

Key Functions:

UP

In the **Normal** display state, short press to sequence display through Time, Power, Charge, Current, Voltage in reverse order
In the **Power Alarm** threshold setting state, short press, increments the limit setting 1.
In the **Watt-Hrs. & Run Time reset** state, short press to exit.

DOWN

In the **Normal** display state, short press to sequence display through Voltage, Current, Power, Power, Time.
In the **Power Alarm** threshold setting state, short press, decrements the limit setting 1.
In the **Watt-Hrs. & Run Time reset** state, short press to exit.

SET

In the **Power** display state, long press 3 seconds to enter the power alarm threshold set state.
In the **Power** or **Run Time** display mode, press 3 seconds to clear the Watt-Hrs. or Run Time

OK

In the **Normal** display mode, short press to turn the backlight on or off.
In the **Power Alarm** threshold setting state, short press to select the digit.
In the **Watt-Hrs. or Run Time**, a short press to exit the cleared state.



MARLIN P. JONES & ASSOC., INC.

P.O. Box 530400 Lake Park, FL 33403

800-652-6733 FAX 561-844-8764

WWW.MPJA.COM