

31358-ME

Multifunction AC Panel Meter

Back-lit, Snap-in LCD panel meter that measures AC Volts, Amps, Watts, Watt hours, Operational Time (Run Time).

Ideal for submetering and monitoring.

Accuracy: +-1% +-1LSD

W: 3-3/4" **H:** 1-3/4" **D:** 1" **WT:** .12

SPECIFICATIONS:

P/N: PZEM-002 (V3.0)

Display: Transflective LCD .68" Digit height

Voltage Operating Range: AC 80-270V

Rated Power: 30A/6600W

Frequency Range: 45-65 Hz.

Voltage Measuring Range: AC 80~264V

Current Measuring Range: 0-40.00A

Power Measurement Range: 0-9000W

Energy Measuring Range: 0-9999.99KWH

Operating Time Measuring Range: 0-9999hr .59min. (9999:59)

Power Alarm: Adjustable limit (Flashes Display when Load watts exceed setting)

Measuring Accuracy: 1.0%

Storage: Retains Accumulated Watts (KWHr) and Accumulated Run Time

DISPLAY FUNCTIONS:

Voltage, Current, Watts, Accumulated Watts (KWHr), Accumulated Run Time.

MODES:

Normal: Displays Selected Parameter (V/I/W/etc)

Power Alarm: Sets limit of the Watts: 1st select "W" display Press SET, OK to select Digit,

Reset Modes: Resets to "0" the Accumulated KWHrs. or Run Time

BUTTON FUNCTIONS:

UP

Normal Display Mode: Short Press to cycle the displayed parameter through V/A/W/KWHr/Run Time

Power Alarm Set Mode: Short Press to Increase setting by 1

Accumulated KWHr and Accumulated Run Time Mode: Short Press to Exit after clearing (Reset to 0)

DOWN

Normal Display Mode: Short Press to reverse cycle through V/A/W/KWHr/Run Time

Power Alarm Set Mode: 1st Select "W" display Press SET, OK to select Digit, Short Press DOWN to Decrease setting by 1

Accumulated KWHr and Accumulated Run Time Mode: Short Press to Exit after clearing (Reset to 0)

SET

Power Display, Long (>3sec.) press to enter the Power Alarm limit Set mode (Display Flashes)

Accumulated KWHr and Accumulated Run Time Mode: Long Press to enter reset mode (Reset to 0)

OK

Normal Display Mode: Short Press to turn the Backlight ON/OFF

Power Alarm Set Mode: Short Press to Cycle through selecting each of the 4 Digits

Use UP/DOWN to Adjust value of Selected Digit. After 4th Digit, Display returns to Normal Mode

Accumulated KWHr and Accumulated Run Time Modes: Short Press to clear (Reset to 0)



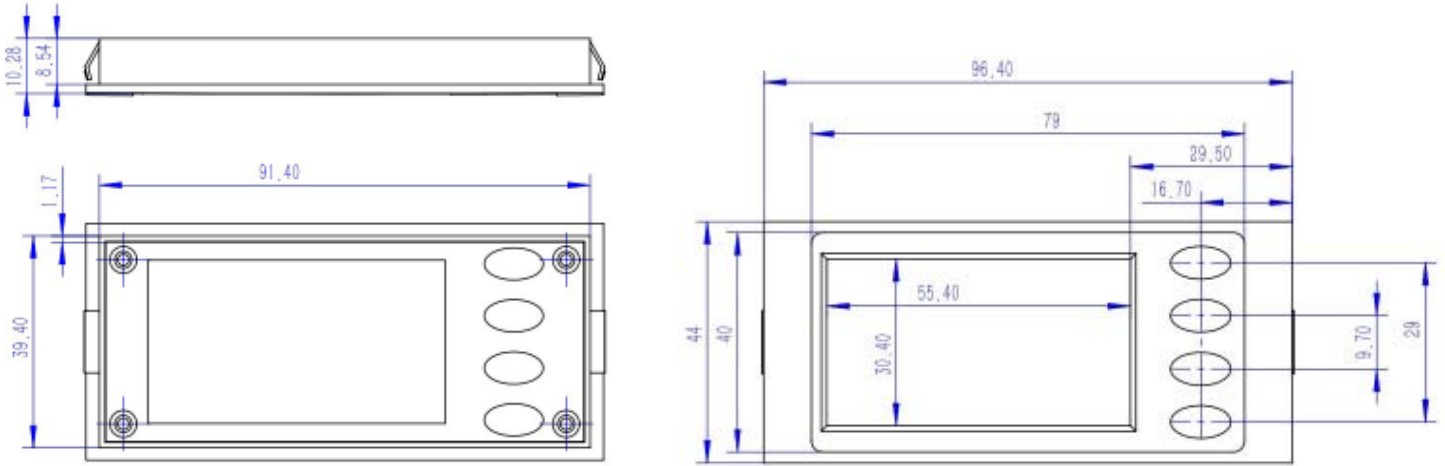
MARLIN P. JONES & ASSOC., INC.

P.O. Box 530400 Lake Park, FL 33403

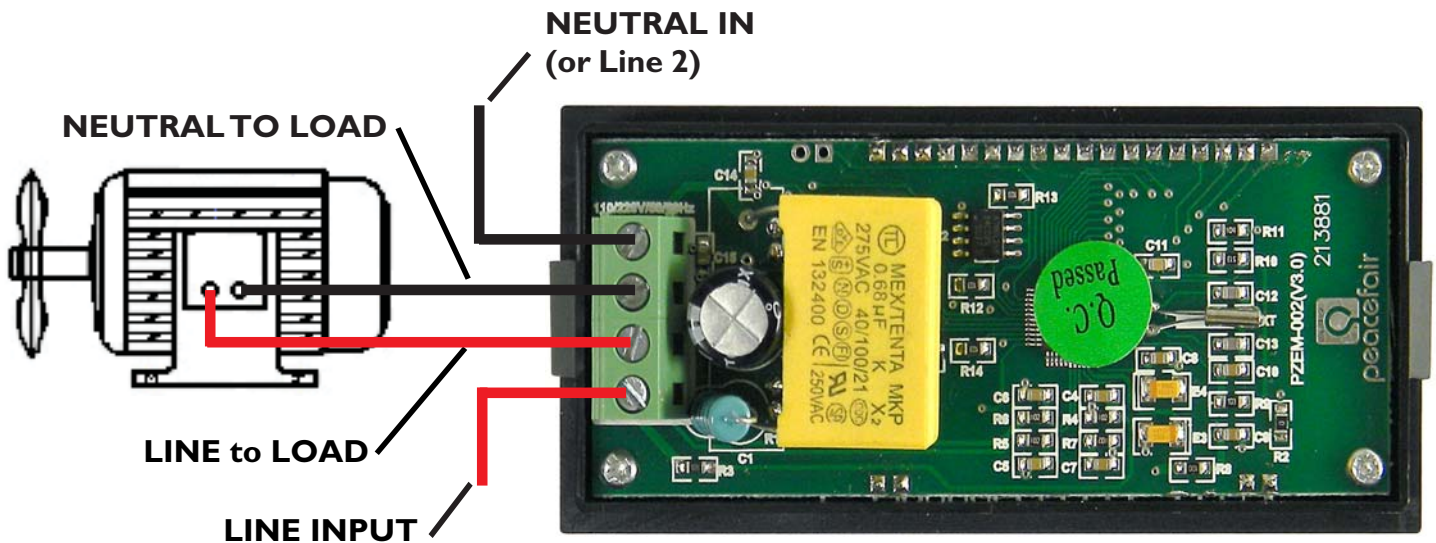
800-652-6733 FAX 561-844-8764

WWW.MPJA.COM

DIMENSIONS:



CONNECTIONS:



For 120VAC Single Phase: Connect Line to "Line Input" Terminal, and Neutral to "Neutral In" Terminal
For 220VAC Single Phase: Connect Line 1 to "Line Input" Terminal, and Line 2 to "Neutral In" Terminal

Information obtained from or supplied by mpja.com or Marlin P. Jones and Associates inc. is supplied as a service to our customers and accuracy is not guaranteed nor is it definitive of any particular part or manufacturer. Use of information and suitability for any application is at users own discretion and user assumes all risk.



MARLIN P. JONES & ASSOC., INC.

P.O. Box 530400 Lake Park, FL 33403
800-652-6733 FAX 561-844-8764
WWW.MPJA.COM