

# 31357-MP

## Dual Channel Relay Board

Dual relay board designed to be driven by a Arduino, PIC, AVR or other micro controllers. Freeware available through [www.arduino.cc/en](http://www.arduino.cc/en) & others on-line

LED indicators for power & input.

Power: 5VDC @ 20mA/channel

Jumper Select either CPU Power or external Power.

Jumper Select either shared CPU & external Ground or Total Isolated Vcc & Ground.

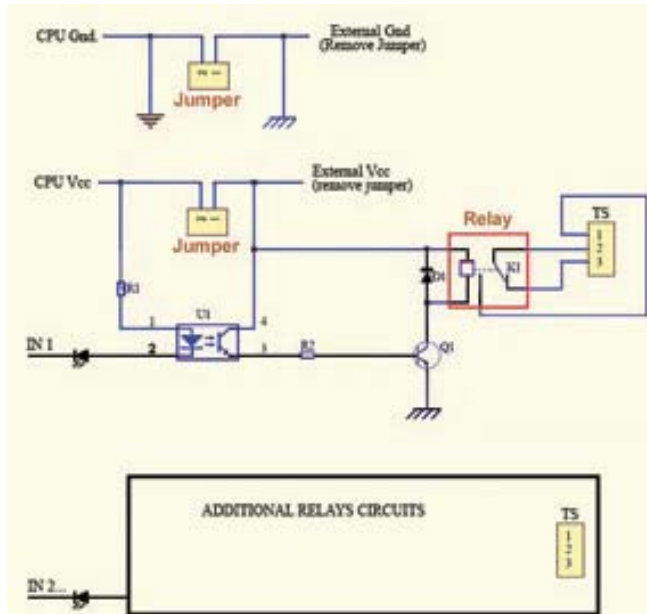
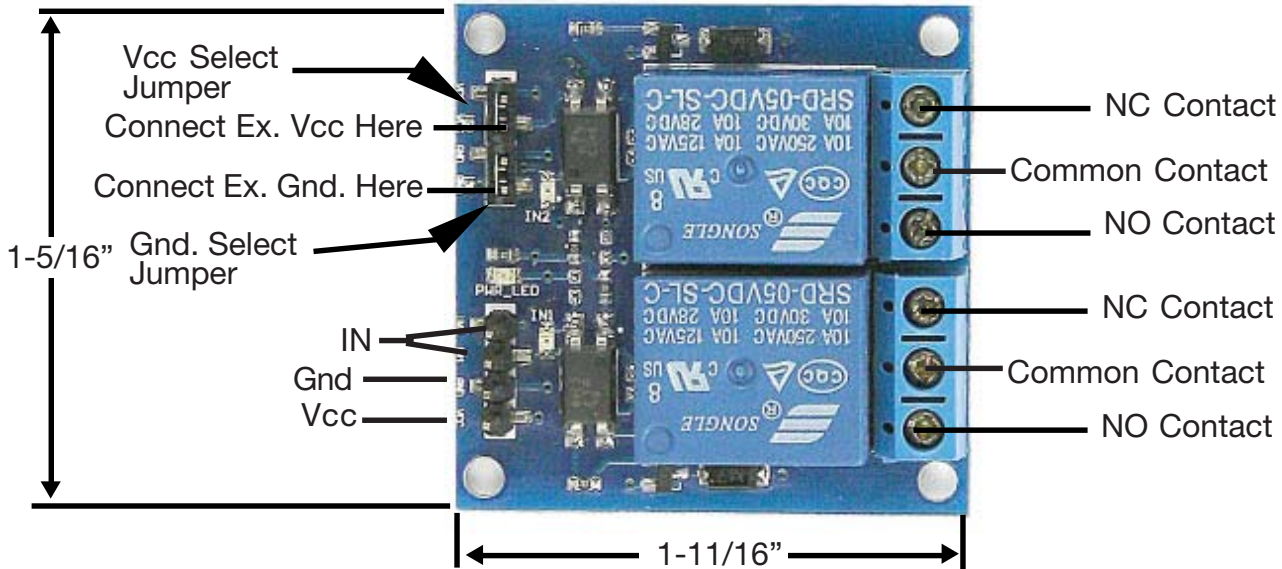
Input: .1in. header with Vcc, Gnd, and input.

Input Signal: Ground energizes relay(s)

Contacts: SPDT 10A @ 28VDC, 30VDC, 125VAC, 250VAC

Output: Terminal strips

L: 1-11/16" W: 1-5/8" H: 3/4" WT: .06



**NOTE:**  
For Total Isolation  
Using an External Power Supply  
Remove Both Jumpers and  
connect External Supply Vcc &  
Ground as described



**MARLIN P. JONES & ASSOC., INC.**

P.O. Box 530400 Lake Park, FL 33403

800-652-6733 FAX 561-844-8764

WWW.MPJA.COM