

31308-ME

Multifunction AC Panel Meter

Back-lit, Snap-in LCD panel meter that measures AC Volts, Amps, Watts, Watt hours, Operational Time (Run Time).

Ideal for submetering and monitoring. 3in. Heavy leads

Input Voltage: 80-270VAC

Input Range Volts: 80-264VAC

Resolution: 0.01V

Input Range Amps: 0-40A

Resolution: Amps: .01

Watts: 0-9000max 6600 recommended

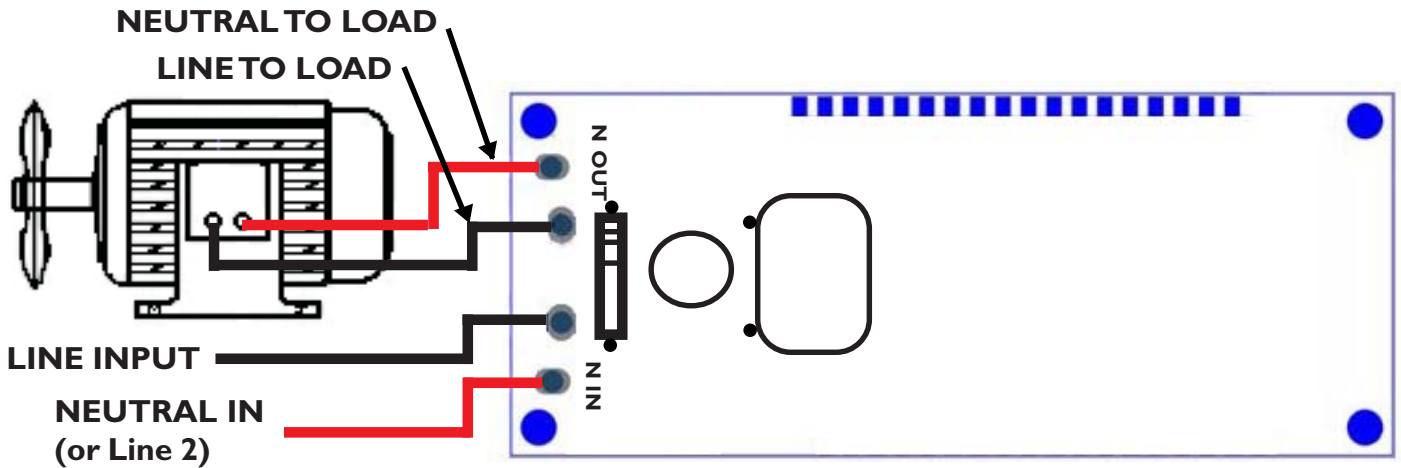
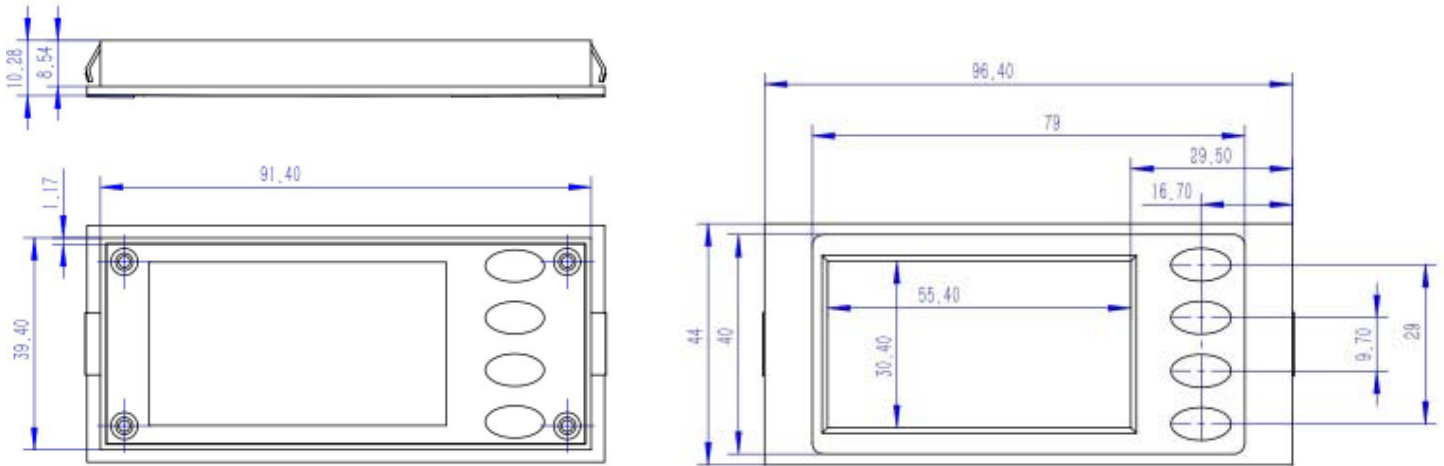
Resolution: 0.1W

Energy Used: 0-9999.99KWh

Run Time: 0-9999.59 Hours

Accuracy: +-1% +-1LSD

W: 3-3/4" H: 1-3/4" D: 1" WT: .12



For 120VAC Single Phase: Connect Line to Red Line Lead, and Neutral to Black "N IN" Lead

For 220VAC Single Phase: Connect Line 1 to Red Lead, and Line 2 to Black "N IN" Lead



MARLIN P. JONES & ASSOC., INC.

P.O. Box 530400 Lake Park, FL 33403

800-652-6733 FAX 561-844-8764

WWW.MPJA.COM