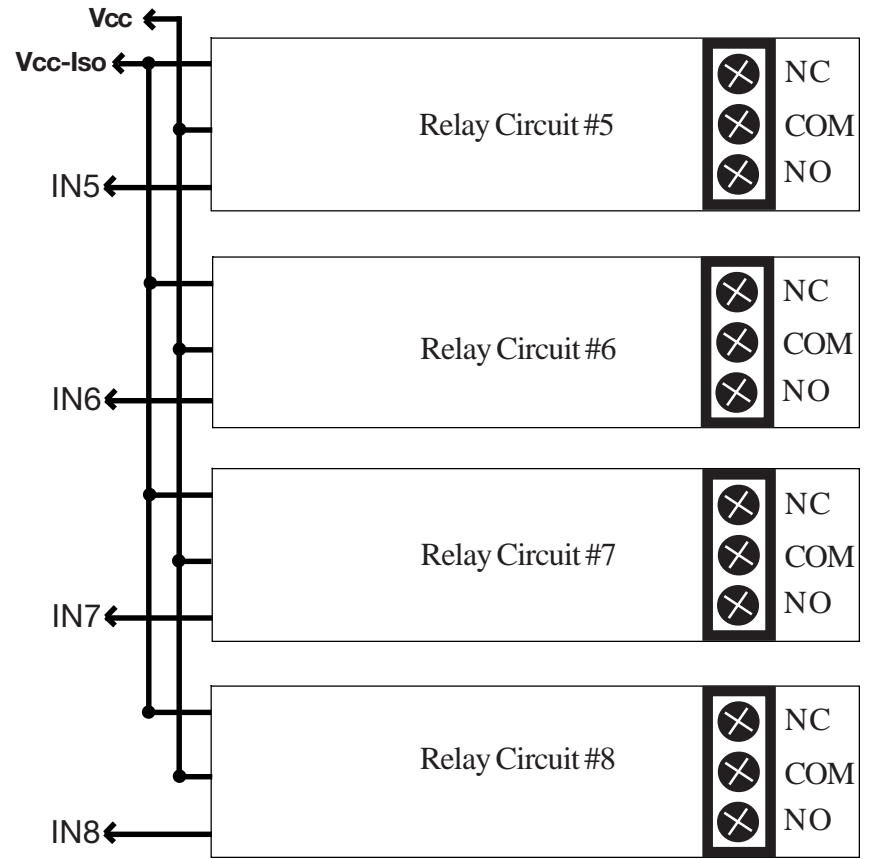
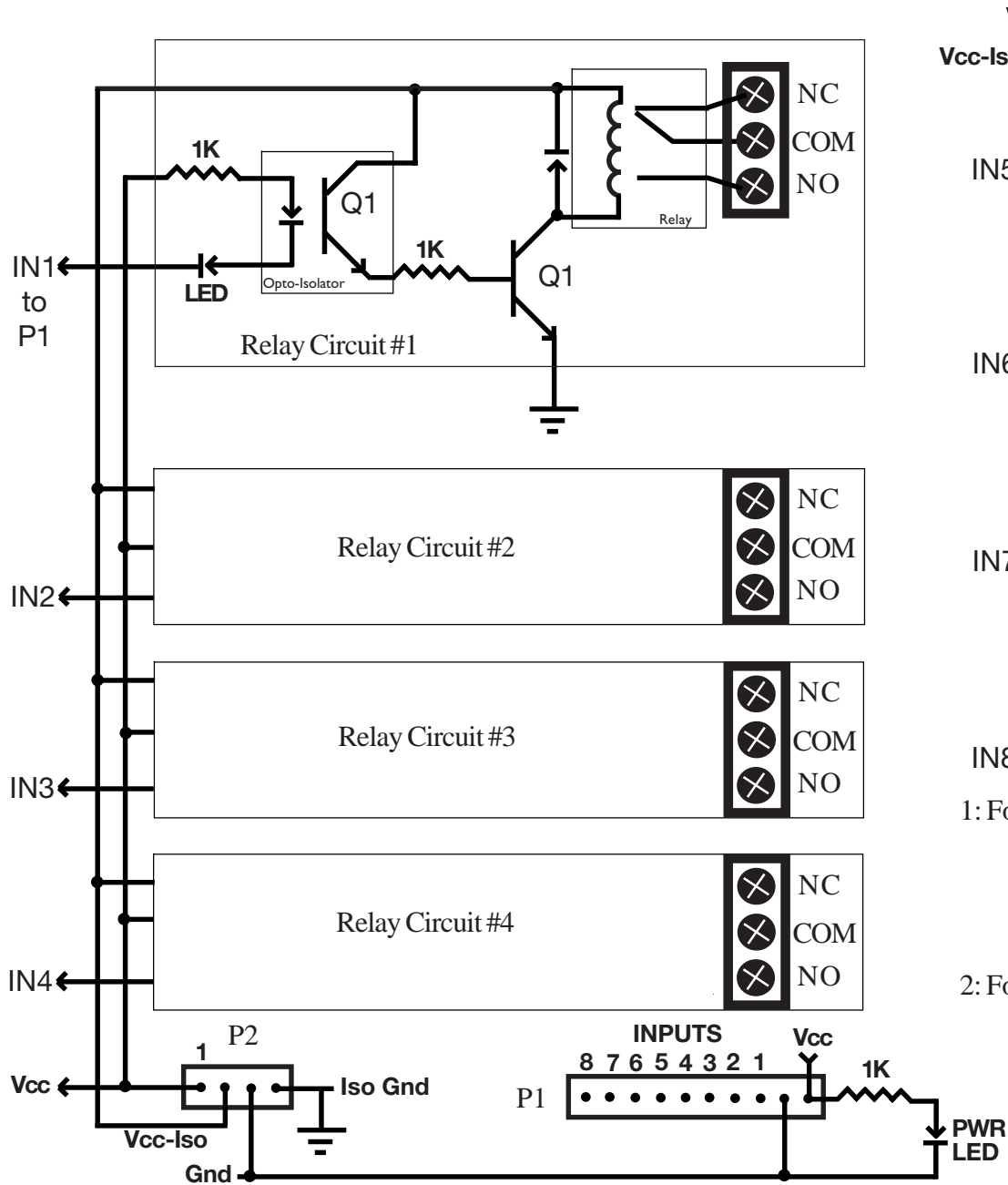


31302-MP



- 1: For Total Isolation: Remove both jumpers from P1
 Supply an external +5V to P1 pin 2 (Vcc-Iso) and the -/Gnd (Iso-Gnd) to P1-4
 +5V & Gnd. from microcontroller board must still connect to P1-9&10 (Vcc & Gnd)
- 2: For Single Supply Operation (from microcontroller) leave P-2 Jumpers

Information obtained from or supplied by Mpja.com or Marlin P. Jones and Associates inc. is supplied as a service to our customers and accuracy is not guaranteed nor is it definitive of any particular part or manufacturer. Use of information and suitability for any application is at users own discretion and user assumes all risk.