

# 31162-MP

## DUAL MINI H BRIDGE DRIVER

### Dual Driver for Arduino & Microcontrollers

Designed around the L9110S IC, can drive, 2 DC motors or 1 four wire 2 phase stepper. TTL logic control input. Freeware available through [www.arduino.cc/en](http://www.arduino.cc/en) and others.

Power: 2.5-12VDC

Output: .8A cont. 1.5A Peak

Input: TTL logic levels

Connections: 6 Pin (.1") Input header for connection to power & uController

Output: Terminal strip for AA/BB motor

LED for Power.

**L:** 1-1/16"    **W:** 7/8"    **H:** 9/16"    **WT:** .01

Output 2A

Output 2B

Output 1A

Output 1B



GND

Vcc

Input 2B

Input 2A

Input 1B

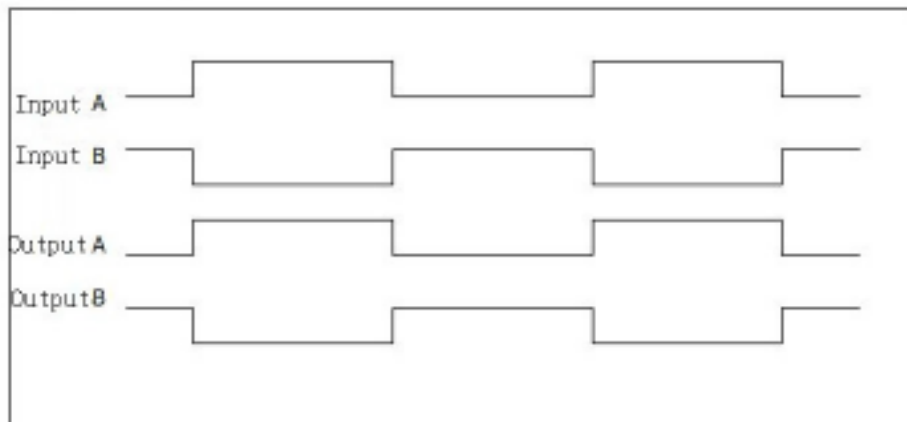
Input 1A

### LOGIC TABLE /Driver

Symbol	Parameter	Range			Unit
		Min	Normal	Max	
VCC	Supply Voltage	2.5	6	12	V
I <sub>dd</sub>	Static Current	—	0	2	uA
I <sub>in</sub>	operate Current	200	350	500	uA
I <sub>C</sub>	Output Current	750	800	850	mA
I <sub>Max</sub>	current peak	—	1500	2000	mA

IA	IB	OA	OB
H	L	H	L
L	H	L	H
L	L	L	L
H	H	L	L

### WAVEFORM



**MARLIN P. JONES & ASSOC., INC.**

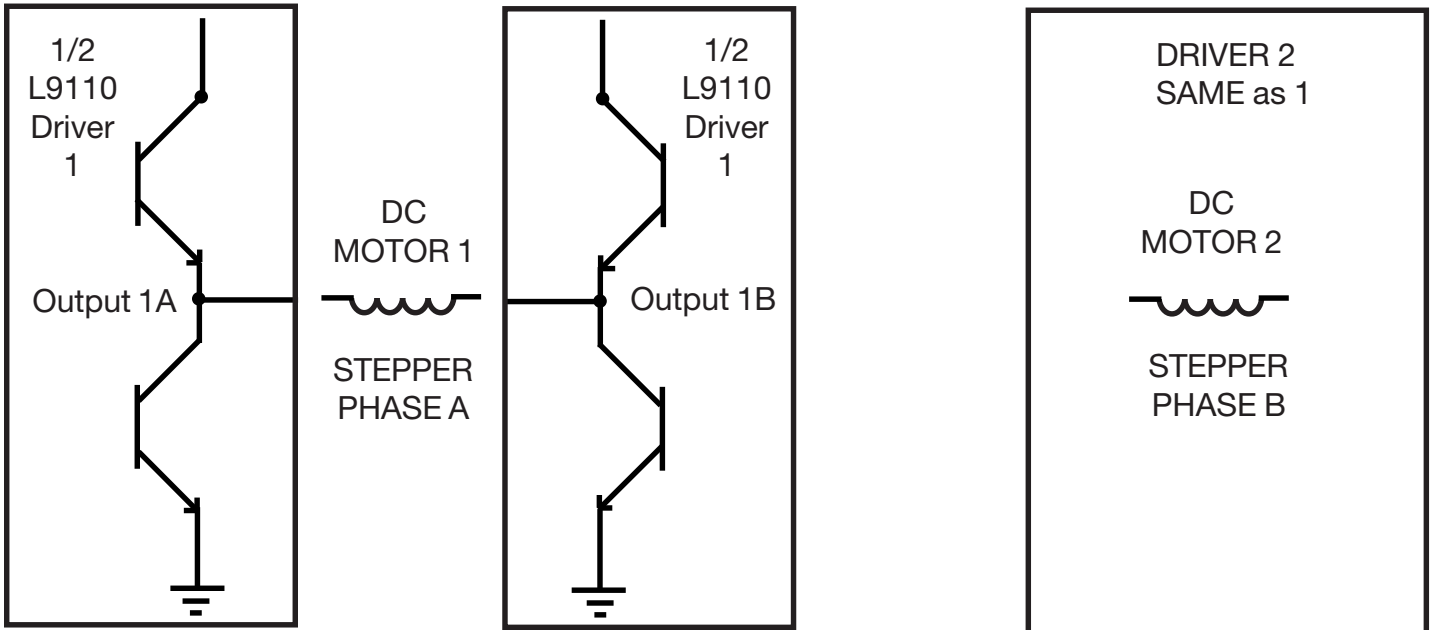
P.O. Box 530400 Lake Park, FL 33403

800-652-6733 FAX 561-844-8764

WWW.MPJA.COM

# 31162-MP

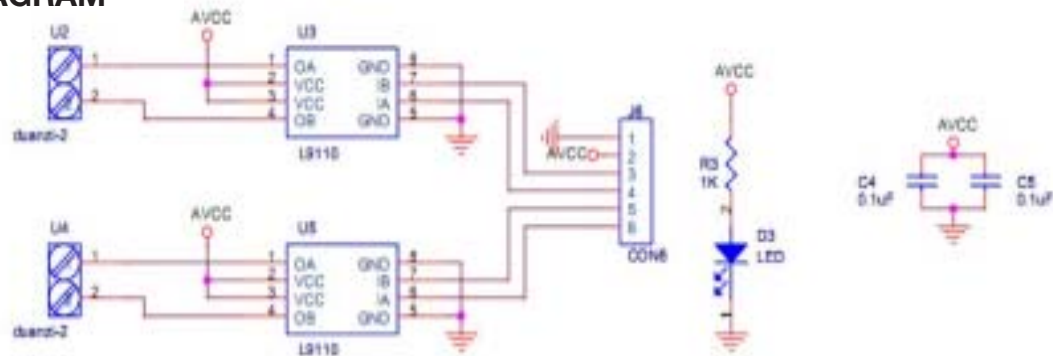
## DUAL MINI H BRIDGE DRIVER



### ALTERNATE DRIVE

For Stepper Motor connect Phase A to Driver 1 and Phase B to Driver 2  
Adjust Input Waveforms accordingly

### BOARD DIAGRAM



**MARLIN P. JONES & ASSOC., INC.**

P.O. Box 530400 Lake Park, FL 33403  
800-652-6733 FAX 561-844-8764  
WWW.MPJA.COM