

## DC 3110 NL

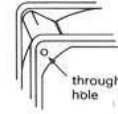
SIZE: 3.15 in. sq. x 1.0 in.  
80mm sq. x 25.4mm

AIRFLOW: 23.00-42.40 CFM

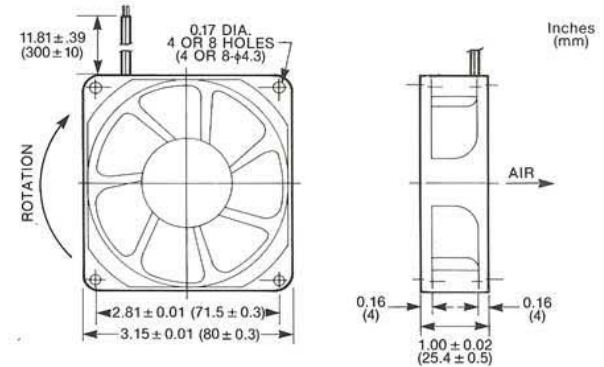
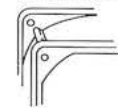
PRESSURE: .06-.19 in. of water  
1.6-4.8mm of water

### OUTLINE DIMENSIONS

RIB TYPE (-L00)



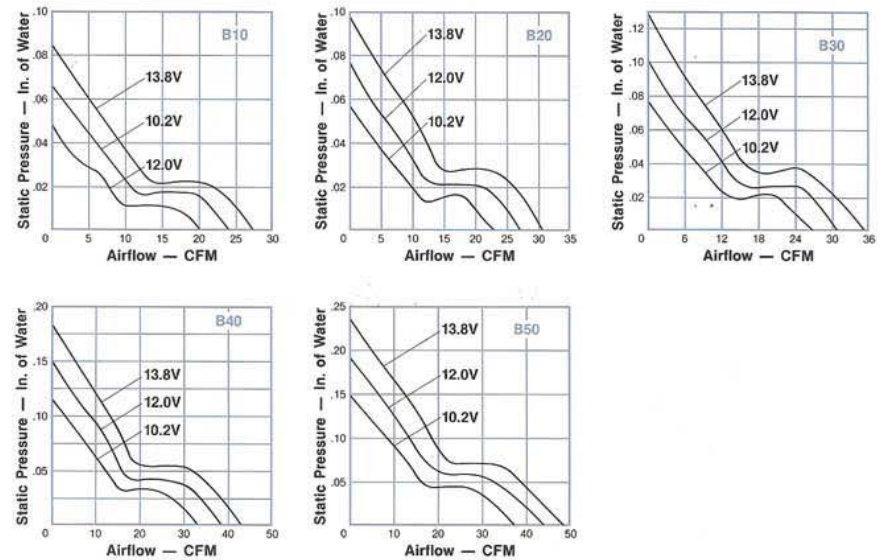
FLANGE TYPE (-P00)



### ENGINEERING DATA

Weight .....	3.6 oz. (100g)
Noise .....	20-38 dBA
Impeller .....	UL94V-O Reinforced Plastic
Venturi .....	UL94V-O Reinforced Plastic
Bearings .....	Sealed Ball Bearings
Lead Wire .....	AWG 24, Red/Black UL1007 CSA TR-64
Temperature Range (Operating) .....	-10°C to +70°C
Insulation Resistance .....	10 Megohms minimum @500 VDC
Dielectric Strength .....	700 VAC for 3 sec. or 500 VAC for 1 min.
Insulation .....	Class A
Safety .....	Electronic Locked Rotor Protection Polarity Protection Auto Restart

### PERFORMANCE CURVES



### SPECIFICATIONS

MODEL NUMBER	VOLTS	VOLTAGE RANGE	WATTS	mAMPS	SPEED	NOISE dBA	PRESSURE	CFM
3110 NL 04W B10	12	6-13.8	0.84	70	1950	20	.06	23.0
B20	12	6-13.8	0.96	80	2150	23	.07	26.5
B30	12	6-13.8	1.20	100	2450	25	.09	30.0
B40	12	6-13.8	1.80	150	2950	32	.14	35.3
B50	12	6-13.8	2.64	220	3400	38	.19	42.4
3110 NL 05W B10	24	10-27.6	1.44	60	1950	20	.06	23.0
B20	24	10-27.6	1.68	70	2150	23	.07	26.5
B30	24	10-27.6	1.92	80	2450	25	.09	30.0
B40	24	10-27.6	2.16	90	2950	32	.14	35.3
B50	24	10-27.6	2.88	120	3400	38	.19	42.4