

31070-MI

Pulse Generator

Compact PC board Pulse generator utilizing the 555 IC.

Features:

Power: 5-15VDC

15mA output drive @ 5VDC; 35mA @ 12V Power.

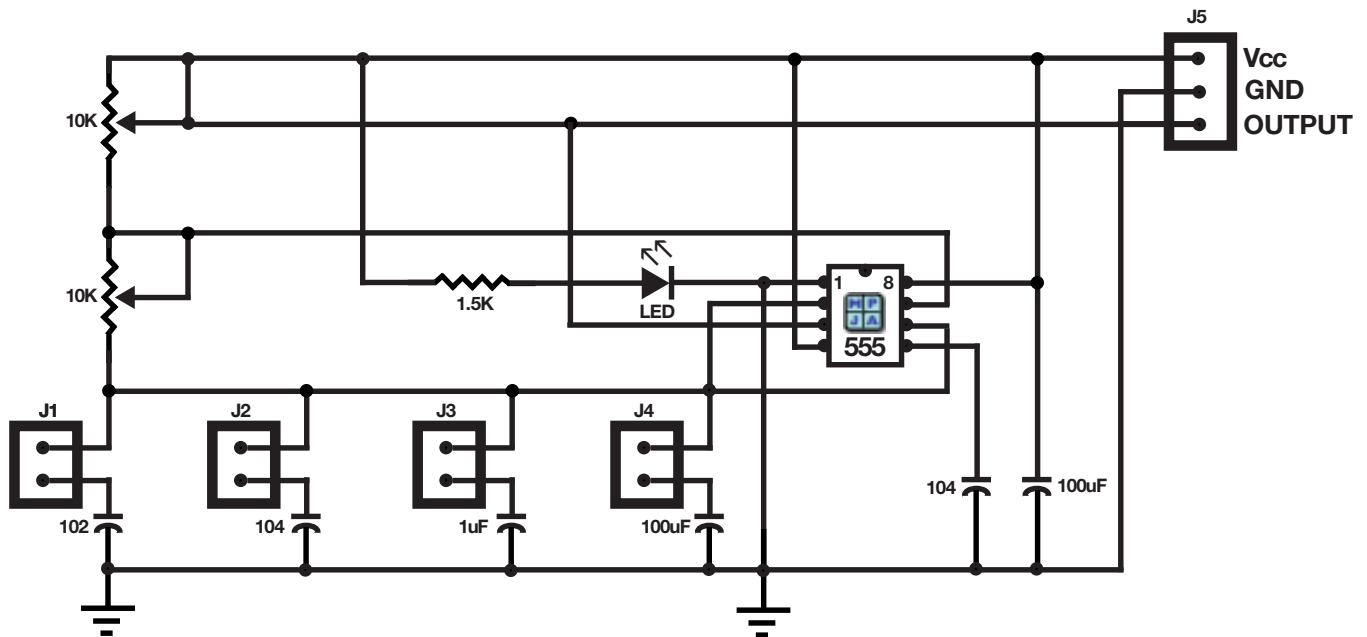
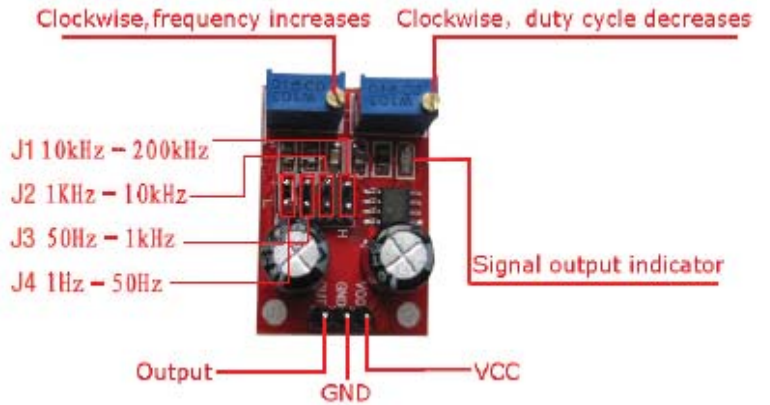
Frequency ranges: 1Hz-50Hz, 50-1KHz, 1KHz-10KHz
& 10KHz-200KHz.

Controls for Frequency Adjust & Duty Cycle

3 Pin I/O 0.1" pitch header.

Note: Freq. & Duty Cycle interact with each other.

L: 1-1/4" W: 7/8" H: 9/16" WT: .02



Information including Drawings, Schematics, Links and Code (Software) Supplied or Referenced in this Document is supplied by MPJA inc. as a service to our customers and accuracy or usefulness is not guaranteed nor is it an Endorsement of any particular part, supplier or manufacturer. Use of information and suitability for any application is at users own discretion and user assumes all risk.

All rights are retained by the respective Owners/Author(s)



MARLIN P. JONES & ASSOC., INC.

P.O. Box 530400 Lake Park, FL 33403
800-652-6733 FAX 561-844-8764
WWW.MPJA.COM