

# 30281-MS MOTOR DRIVER

Utilizes the L298 IC driver to power motors, solenoids and the larger NEMA 14-23 steppers. Designed to be driven from a Arduino or other micro controllers.

Drive Type: Dual "H"

Logic Power: 5VDC

Driver Power: 5-35VDC

Input Signal: TTL logic levels

Low:  $-.03 < V_{in} < 1.5V$

High:  $2.3V < V_{in} < V_{ss}$

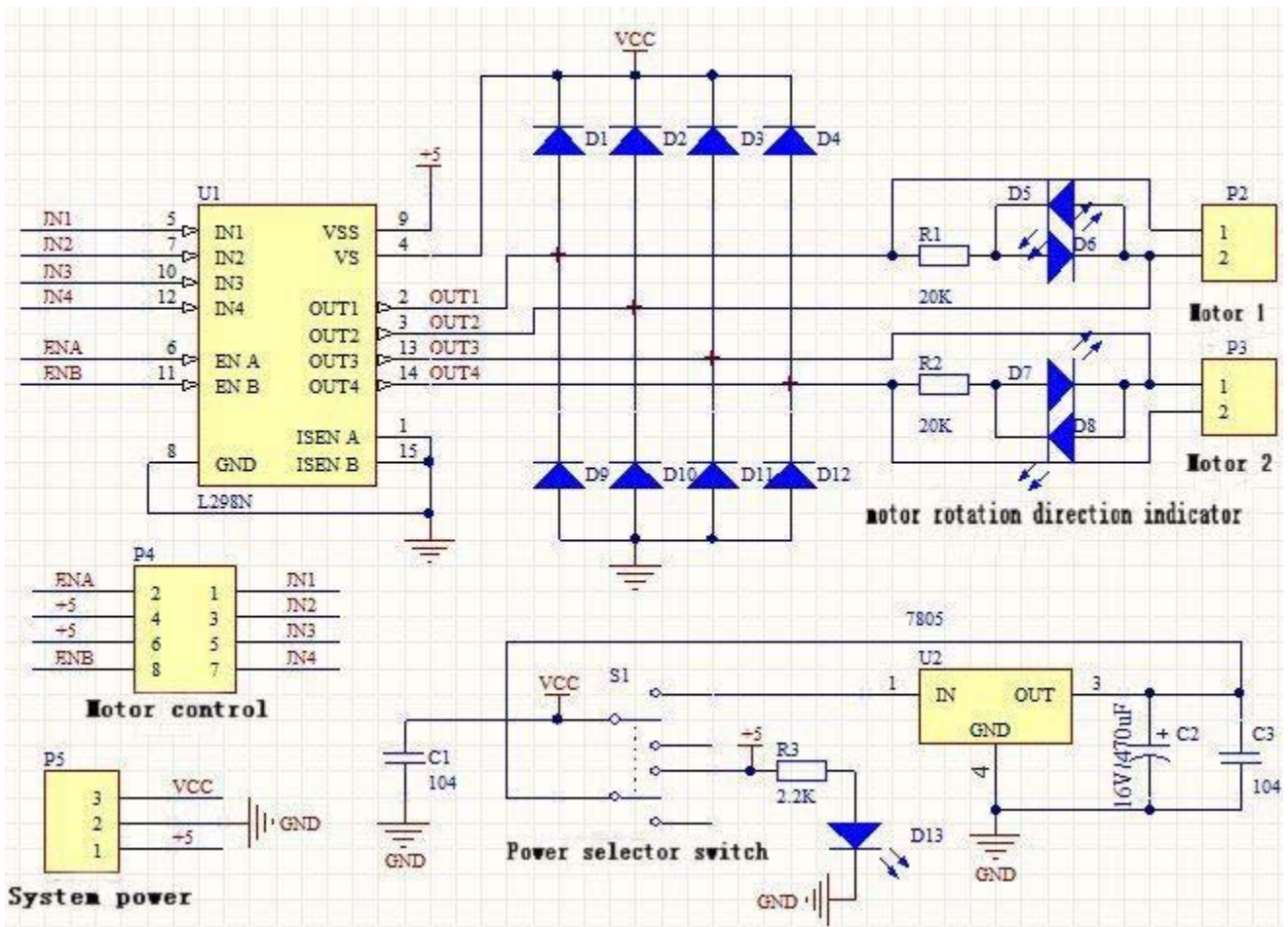
Max Current: 2A/Phase (Max total power: 25W)

Onboard 5V regulator can be activated to supply Logic power when Driver Power input is between 7-35V

.1in Header pins for Logic input, Terminal strips for Motor leads & Power.

LEDs for 5V Power and Phase drive indication.

Board. 50mm X 44mm



**MARLIN P. JONES & ASSOC., INC.**

P.O. Box 530400 Lake Park, FL 33403  
800-652-6733 FAX 561-844-8764  
WWW.MPJA.COM