

# 30174-ME

## MINI PANEL MOUNT VOLT/AMP METER

Mini snap-in LED panel meter contains both a 3digit Digital Volt Meter and a 3 digit Amp. meter.

Character Height: 0.28in.

Operating Voltage: 4.5-30VDC

Input Range: Self Powered: 4.5-30V

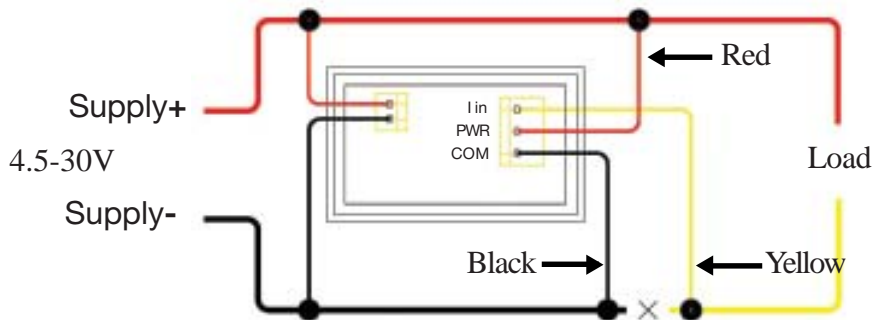
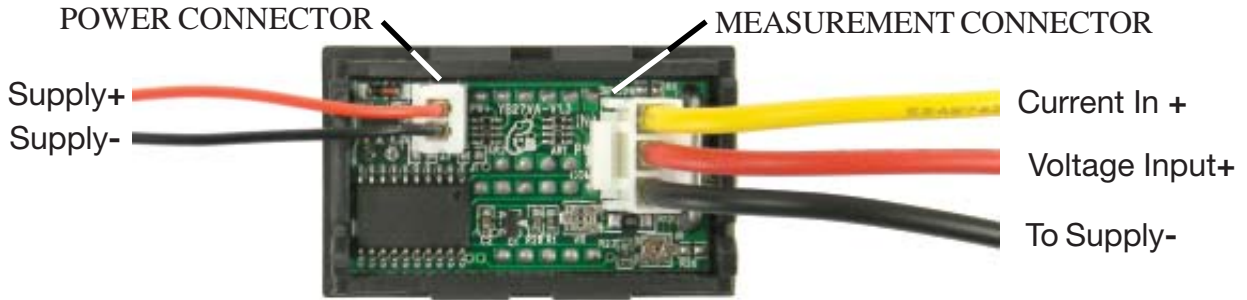
Resolution: .1/.01 auto Range

Accuracy: +- 1% + 1LSD

Input Range Amps: 0-10A (9.99)

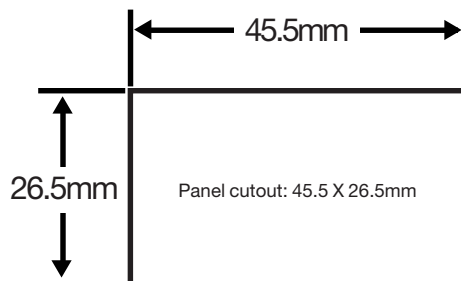
Resolution: Amps: .01

For source monitoring: Input Voltage must be between 4.5 & 30VDC



SELF POWERED, 4.5-30VDC, 0-10A

NOTE: Supply lead to & Return Lead from Load to Meter (Yellow) and Meter Com to Supply should be sized to carry maximum expected current



**MARLIN P. JONES & ASSOC., INC.**

P.O. Box 530400 Lake Park, FL 33403

800-652-6733 FAX 561-844-8764

WWW.MPJA.COM