

30149-PS

ADJUSTABLE DC/DC CONVERTER WITH DVM

Non Isolated, adjustable DC/DC Converter with built in Input/Output Voltmeter
Minimum INPUT for operation of meter: 4VDC

REGULATOR:

Input: 4.5-40VDC

Output: 1.5-37VDC Rated Current: 2A Max

Regulation: 0.5%

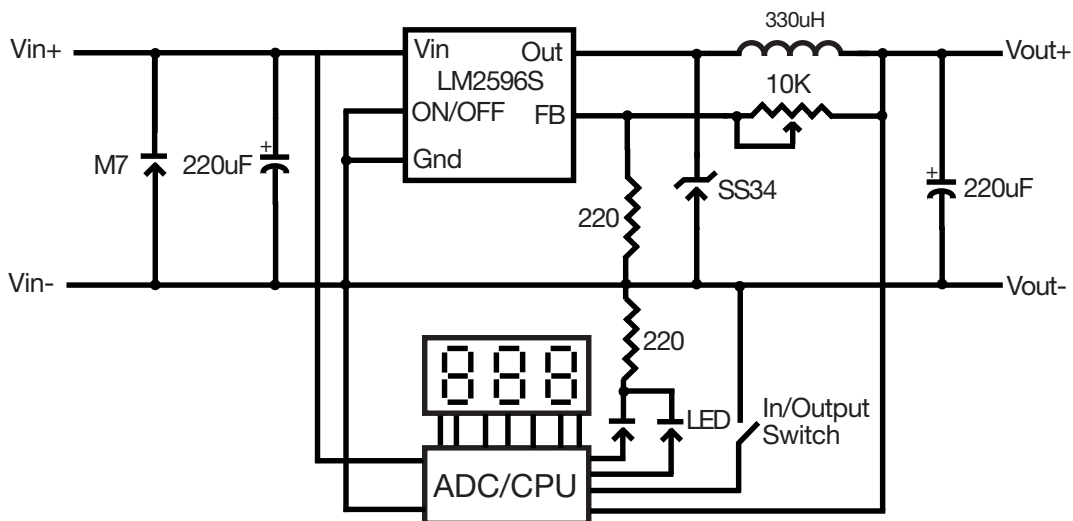
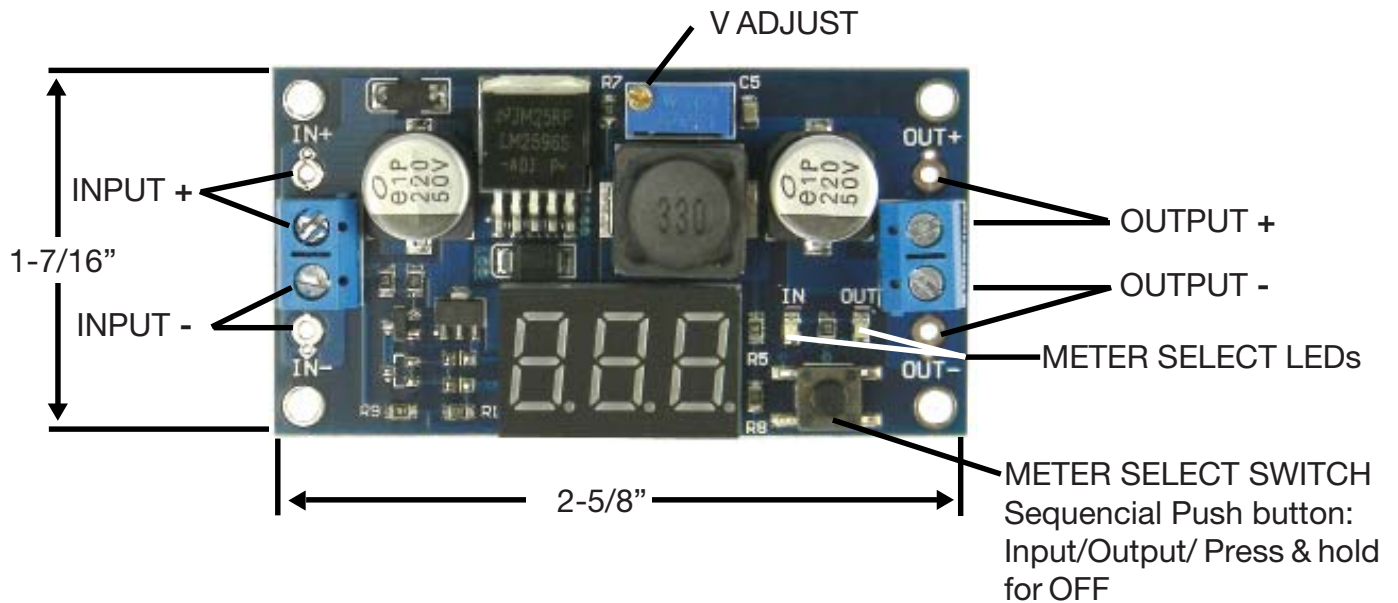
METER: Internally connected to Converter

Range: 4-40VDC

Resolution: .01/.1V Auto

Accuracy: 1% +- 1LSD

Input Selection: Sequential pressing of Push Button Switch



MARLIN P. JONES & ASSOC., INC.

P.O. Box 530400 Lake Park, FL 33403
800-652-6733 FAX 561-844-8764
WWW.MPJA.COM