

30032-MS

Mini Stepper Motor and ULN2003 Driver Board

Specifications

4Phase 5Wire

Rated Voltage: 5VDC

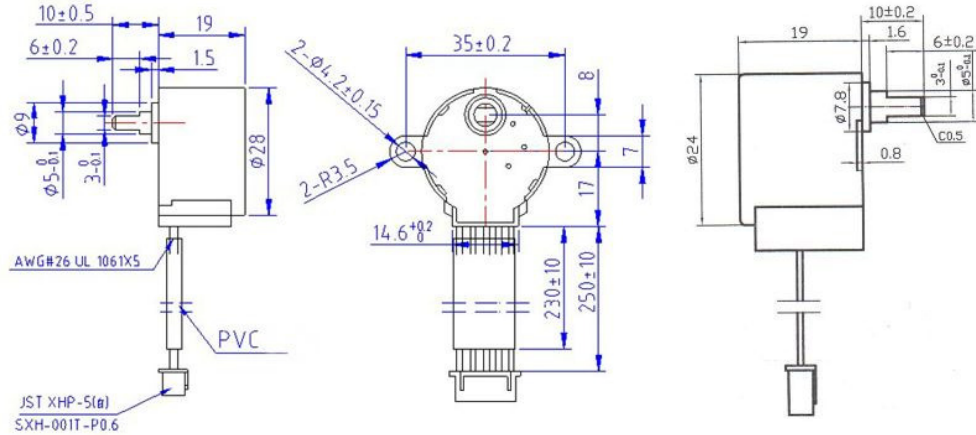
Basic Step Angle: 5.625°

Gear Ratio: 1/64

Effective Step Angle: .088°

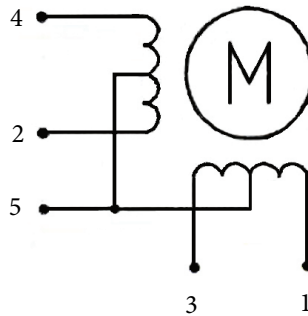
Model	Rated Voltage (DCV)	Resistance Ω /Phase (at 25°C)	Max. Freeload Full-in Frequency (PPS)	Max. Freeload Pull-out Frequency (PPS)	Full-in Torque (mN.m)	Operation Frequency (PPS)	Detent Torque (mN.m)	Temperature Rise (K)	Noise (dB)	Step Angle (1-2phase)	Insulation Class
28BY48	5	60	>500	>900	>29.4	100	>29.4	<40	<35	5.625° /64	E

Mechanical



Wiring Diagram

- 1: Blue
- 2: Pink
- 3: Yellow
- 4: Orange
- 5: Red



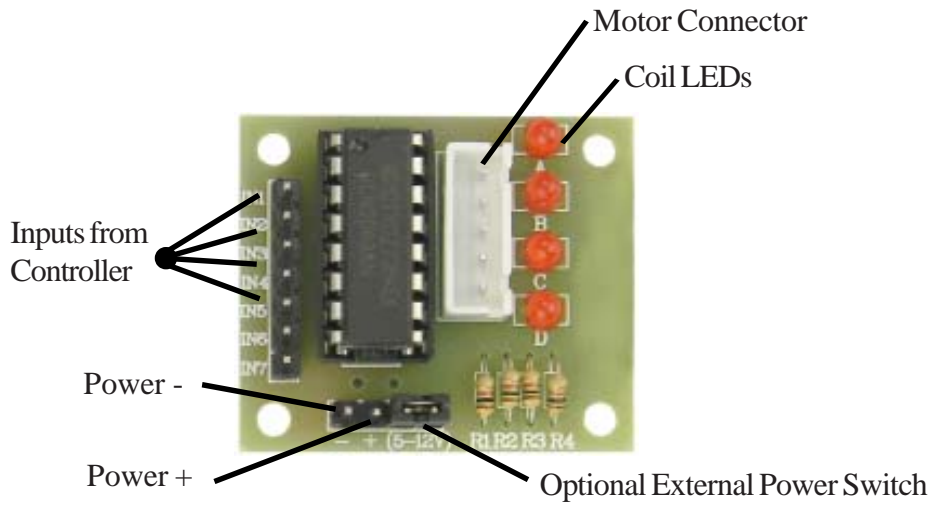
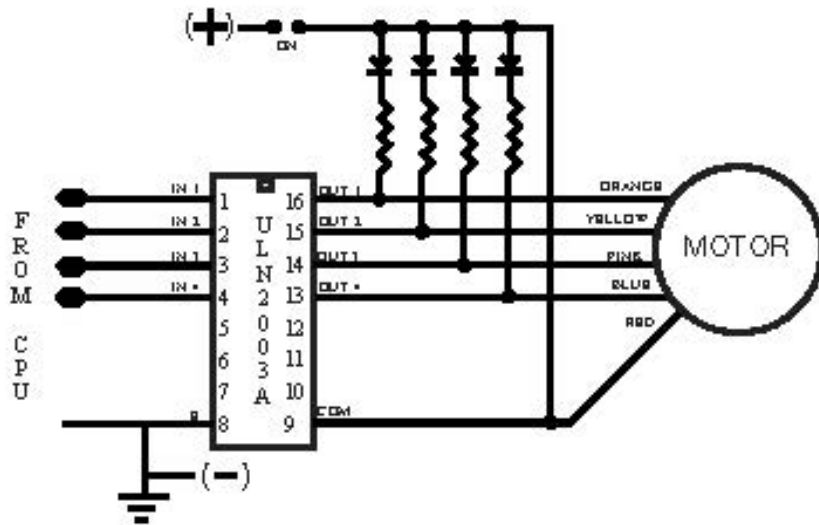
Step Sequence

Lead Wire Color	---> CW Direction (1-2 Phase)							
	1	2	3	4	5	6	7	8
4 ORG	-	-						-
3 YEL		-	-	-				
2 PIK				-	-	-		
1 BLU						-	-	-

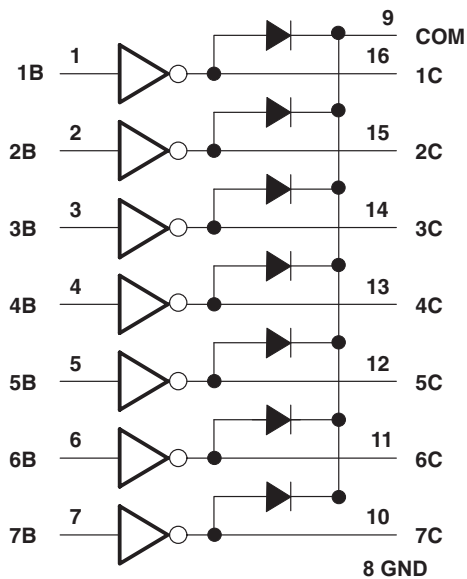


30032-MS

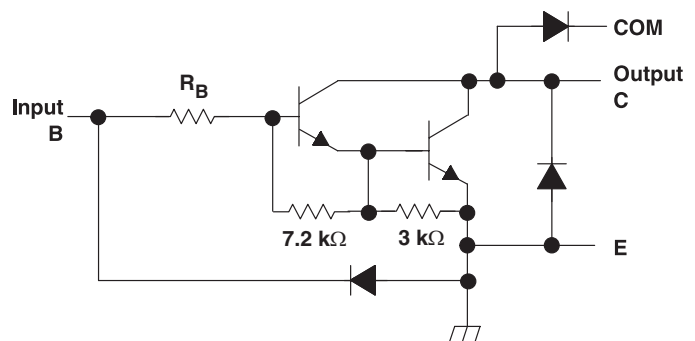
Interconnection



ULN2003A LOGIC DIAGRAM



SCHEMATIC EACH DRIVER



ULN2003A, ULN2003AI, ULN2004A, ULQ2003A, ULQ2004A

