

19518-SC

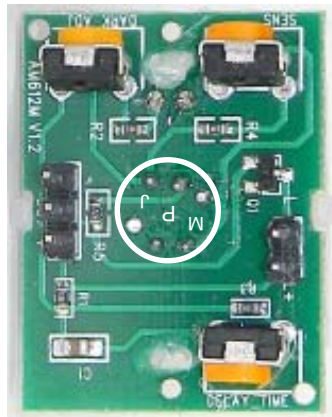
PIR MOTION DETECTOR/LIGHT SENSOR

Mini Dual Element PIR Motion Detectors designed for the human Body.
 Ambient Light Sensor Provision for External Walk LED (not included)
 3V digital output to drive Your external transistor & relay (not included)

Compact Size: L: 32mm W: 23mm H: 25mm Wt: .08
 Supply Voltage: 4-24VDC
 Current Drain: <1mA
 Output: 0V Low/3V High (Detected Movement) <300uA Source
 Hold Time: ~2sec. to~70min. Adjustable
 Recycle Delay: ~2sec. after hold time
 Continuous Movement yields Continuous Output
 Light Sensor: 3-10lux adjustable
 Range: ~6-8 meters
 Lens: 23mm Dia. Plastic Omni Fresnel
 Detection Angle: ~100Degrees
 Terminals: .025in Sq. Header Pins on 0.10in Spacing (mate not supplied)

Power &
Output

Pin 1: Common (-) 1
 Pin 2: Output 2
 Pin 3: +Supply In. 3



Walk LED

Pin 1: LED Cathode
 Pin 2: Resistor

TYPICAL OUTPUT CIRCUITS (Parts Not Included)

Q1: PN2222

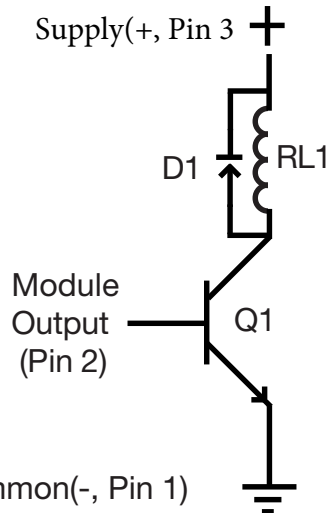
RL1: Dependent on Supply Voltage
Sensitive coil

D1: 1N4001 diode

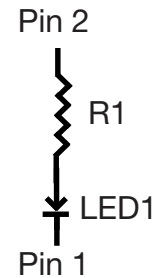
LED1: Any standard 20mA LED

R1: 5V Supply 220 Ohm, 1/4W
 12V Supply 510 ohm, 1/4W

Common(-, Pin 1)



Walk LED



MARLIN P. JONES & ASSOC., INC.

P.O. Box 530400 Lake Park, FL 33403
 800-652-6733 FAX 561-844-8764
 WWW.MPJA.COM