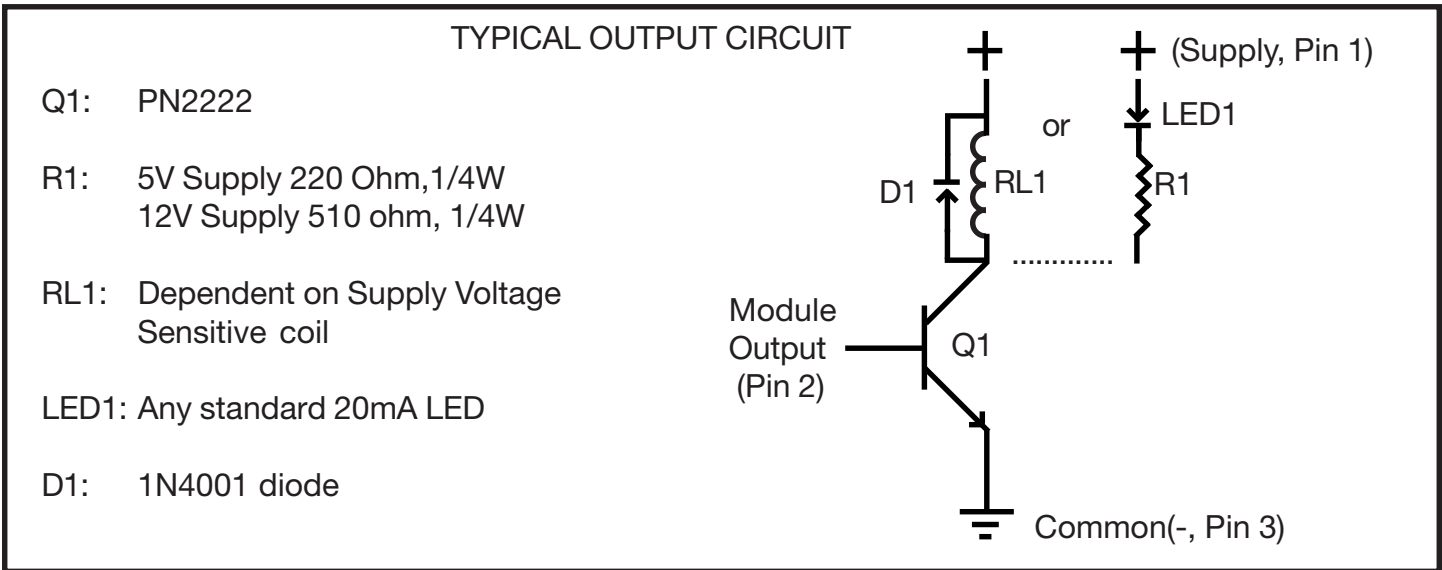
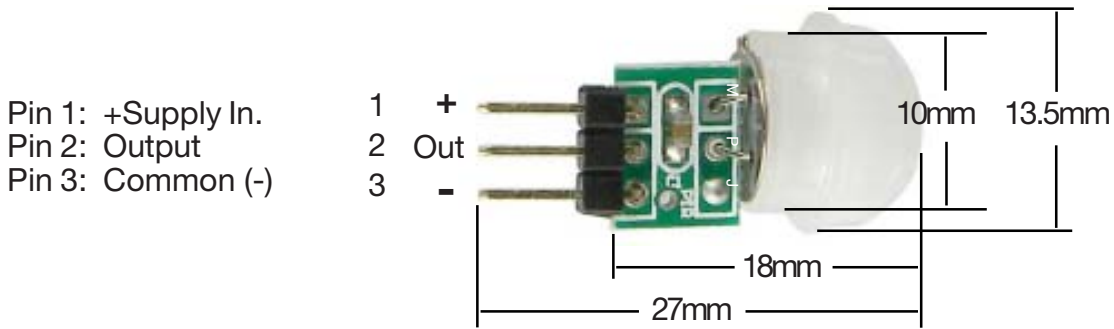


19517-SC

PIR MOTION DETECTOR

Ultra Mini Dual Element PIR Motion Detectors designed for the human Body.
3V digital output to drive Your external transistor & relay (not included)

Compact Size:	Dia: 13.5mm L: 18mm Wt: .08
Supply Voltage:	4-24VDC
Current Drain:	<1mA
Output:	0V Low/3V High (Detected Movement) <300uA Source
Recycle Delay:	~2sec after hold time Continuous Movement yields Continuous Output
Hold Time:	~2 sec.
Range:	~3-5 meters
Lens:	Plastic Omni Fresnel
Detection Angle:	~110Degrees
Terminals:	.025in Sq. Header Pins on 0.10in Spacing (mate not supplied)



MARLIN P. JONES & ASSOC., INC.

P.O. Box 530400 Lake Park, FL 33403
800-652-6733 FAX 561-844-8764
WWW.MPJA.COM